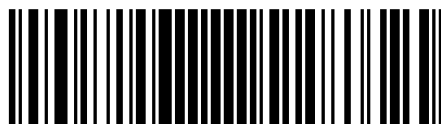


Instructions

Danfoss scroll compressors **DSH / SM / SY / SZ / SH / WSH**

English / English	p. 2
Français / French	p. 7
中文 / Chinese	p. 12
Italiano / Italian	p. 17
Español / Spanish	p. 22
Deutsch / German	p. 27
Português / Portuguese	p. 32

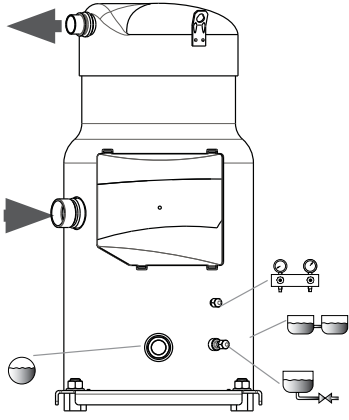
Dansk / Danish	http://instructions.cc.danfoss.com
Svenska / Swedish	
Nederlands / Dutch	
Gaeilge / Irish	
Suomi / Finnish	
Lietuviu kalba / Lithuanian	
Latviesu valoda / Latvian	
Eesti / Estonian	
Elinika / Greek	
Português (Brasil) / Brazilian Portuguese	
Slovenčina / Slovak	
Slovenščina / Slovene	
български (Bălgarski) / Bulgarian	
Română / Romanian	
Magyar / Hungarian	
Čeština / Czech	
Polski / Polish	



Instructions

Danfoss scroll compressors

DSH / SM / SY / SZ / SH / WSH



1 - Introduction

These instructions pertain to the Danfoss scroll compressors DSH, SM, SY, SZ, SH, DSF & WSH scroll compressors used for air-conditioning systems. They provide necessary information regarding safety and proper usage of this product.

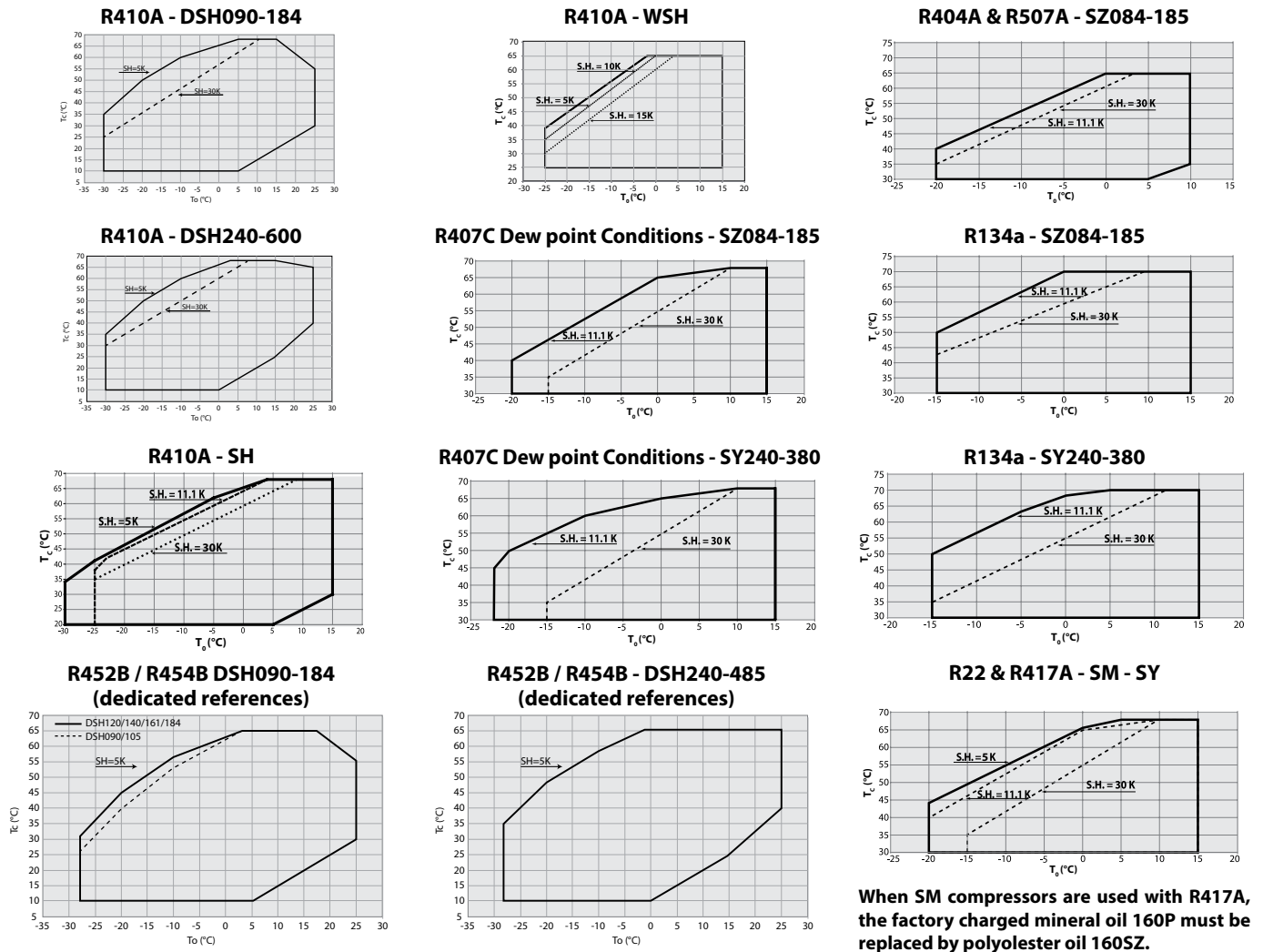
2- Nameplate



- A:** Model number
- B:** Serial number
- C:** Refrigerant
- D:** Supply voltage, Starting current & Maximum operating current
- E:** Housing service pressure
- F:** Factory charged lubricant

⚠ Installation and servicing of the compressor by qualified personnel only. Follow these instructions and sound refrigeration engineering practice relating to installation, commissioning, maintenance and service.

3 - Operating map



When SM compressors are used with R417A, the factory charged mineral oil 160P must be replaced by polyolester oil 160S2.

<p>⚠ The compressor must only be used for its designed purpose(s) and within its scope of application (refer to «operating limits»). Consult Application guidelines and datasheet available from cc.danfoss.com</p>	<p>⚠ Under all circumstances, the EN378 (or other applicable local safety regulation) requirements must be fulfilled.</p>	<p>The compressor is delivered under nitrogen gas pressure (between 0.3 and 0.7 bar) and hence cannot be connected as is; refer to the «assembly» section for further details.</p>	<p>The compressor must be handled with caution in the vertical position (maximum offset from the vertical : 15°)</p>
---	---	--	--

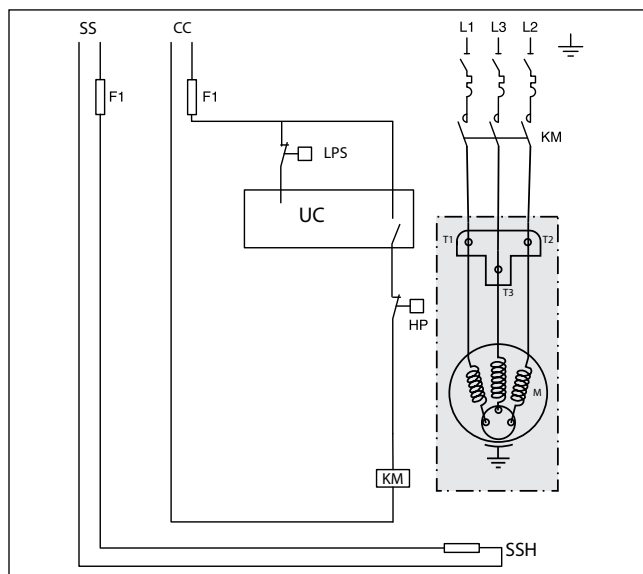
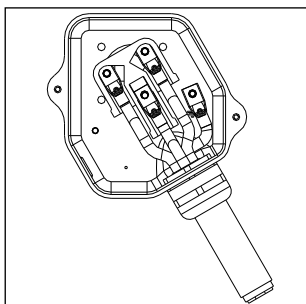
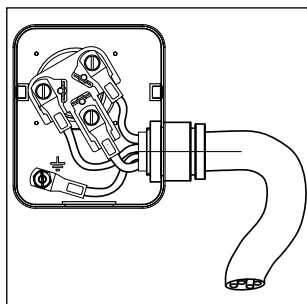
Instructions

4 - Electrical connections details

DSH / SH / WSH 090 - 105 - 120 - 140* - 161* - 184*
SM 084 - 090 - 100 - 110 - 112 - 120 - 124 - 147 - 148 - 161
SZ 084 - 090 - 100 - 110 - 120 - 147 - 148 - 161

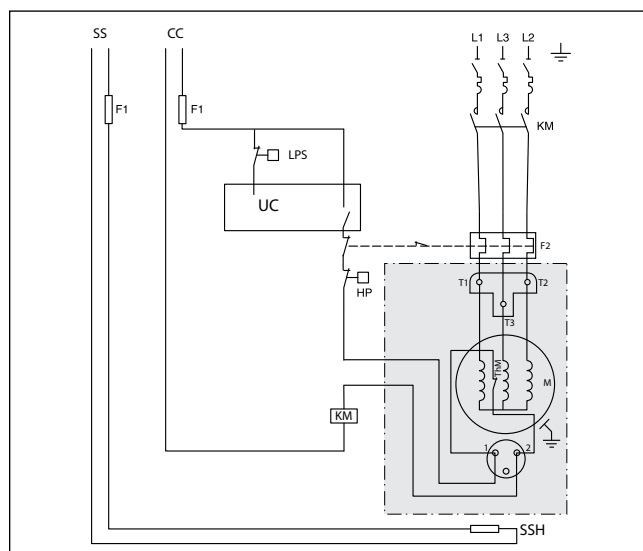
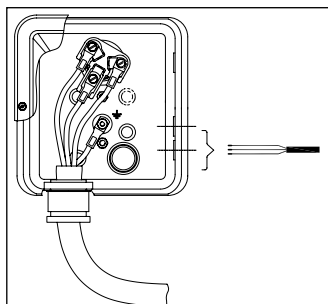
These Danfoss scroll compressors are protected against overheating and overloading by an internal safety motor protector. However, an external manual reset overload protector is recommended for protecting the circuit against over-current.

All models except DSH / SH / WSH140-3 & 161-3 & 184 **DSH / SH / WSH140-3 & 161-3 & 184**



SM / SZ 115 - 125 - 160 - 175 - 185 versions with thermostat

These Danfoss scroll compressors are provided with a bimetallic single pole single throw thermostat which is located in the motor windings. Because the thermostat is an automatic reset device, it must be wired in a lockout safety circuit with a manual reset to restart the unit. For over-current protection, an external manual reset overload protector must be used.

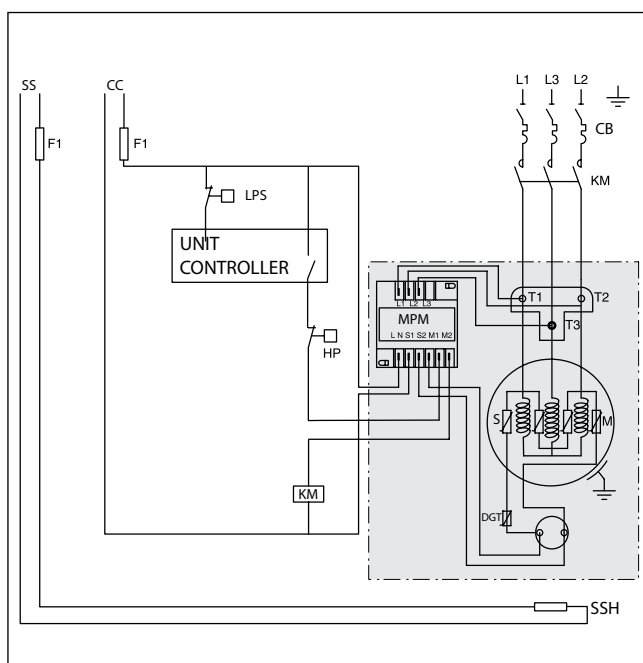
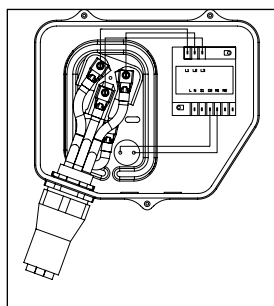
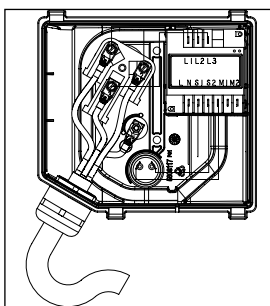


SH 180 - 240 - 295 - 300 - 380
DSH 240 - 295 - 381
SY / SZ 240 - 300 - 380
SM / SZ 185 versions with electronic module

These Danfoss scroll compressor motors are protected by an external module protecting against phase loss/reversal, overheating and high current draw.

All models except SH380-3

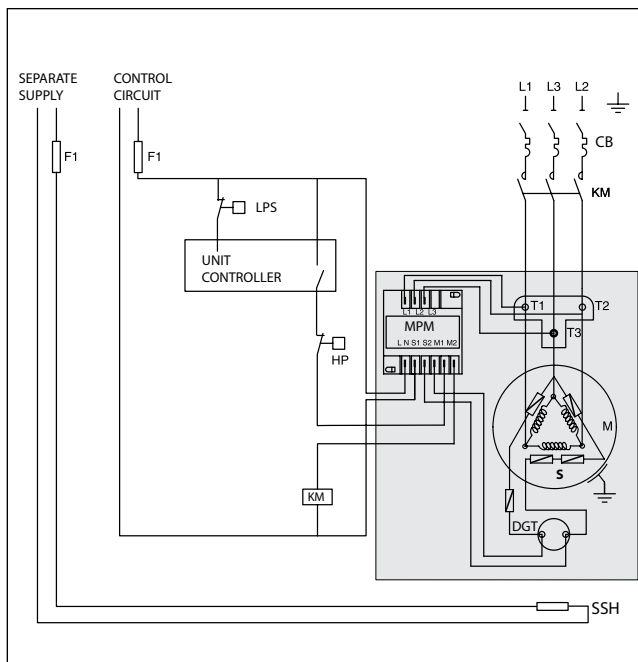
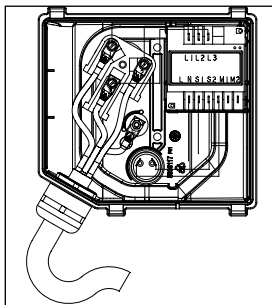
SH380-3



Instructions

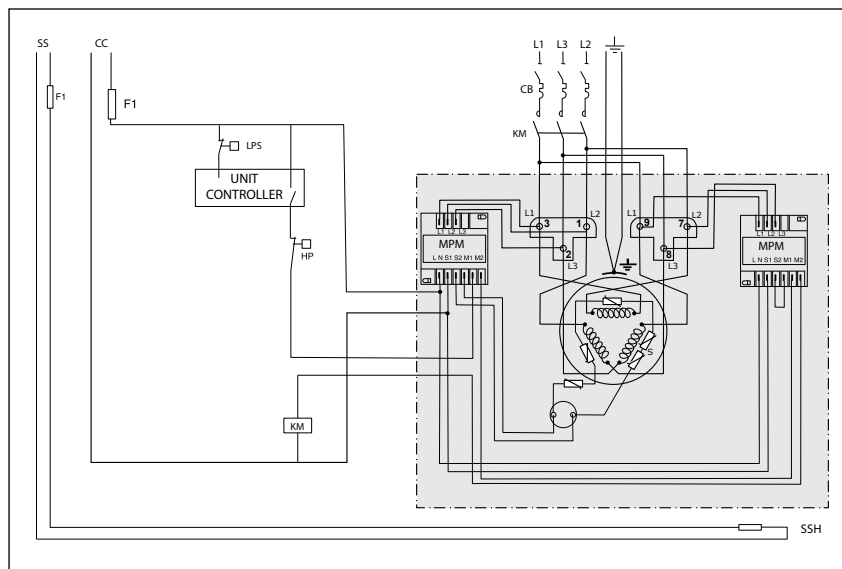
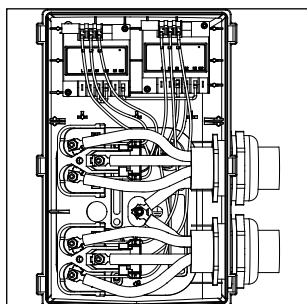
SH/DSH485, DSH600

These Danfoss scroll compressor motors are protected by an external module protecting against phase loss/reversal, overheating and high current draw.



DSH485-3

These Danfoss scroll compressor motors are protected by two external modules protecting against phase loss/reversal, overheating and high current draw.



Legend:

Fuses F1
Compressor contactor KM
High pressure safety switch HP
Discharge gas thermistor (embedded in compressors DSH240-600 and SH485) DGT

Surface Sump Heater SSH
Compressor motor M
Motor Protection Module MPM
Thermistor chain S

Safety pressure switch LPS
Thermal magnetic motor circuit breaker CB

Instructions

5 – Handling and storage

- Handle the compressor with care. Use the dedicated handles in the packaging. Use the compressor lifting lug and use appropriate and safe lifting equipment.
- Store and transport the compressor in an upright position.
- Store the compressor between Ts min and Ts max values for LP side indicated on compressor nameplate.
- Don't expose the compressor and the packaging to rain or corrosive atmosphere.

6 – Safety measures before assembly

⚠ Never use the compressor in a flammable atmosphere.

- Check before assembly that the compressor does not show any obvious signs of deterioration that could have occurred during inappropriate transportation, handling or storage.
- The compressor ambient temperature may not exceed Ts max value for LP side indicated on compressor nameplate during off-cycle.
- Mount the compressor on a horizontal flat surface with less than 3° slope.
- Verify that the power supply corresponds to the compressor motor characteristics (see nameplate).
- When installing DSH, SH, WSH or SZ, use equipment specifically reserved for HFC refrigerants which was never used for CFC or HCFC refrigerants.
- Use clean and dehydrated refrigeration-grade copper tubes and silver alloy brazing material.
- Use clean and dehydrated system components.
- The piping connected to the compressor must be flexible in 3 dimensions to dampen vibrations.

7 – Assembly

- The compressor must be mounted on rails or chassis according to Danfoss recommendations described in related product guidelines (type of spacer, tightening torques).
- Slowly release the nitrogen holding charge through the schrader port.
- Remove the gaskets when brazing rotolock connectors.
- Always use new gaskets for assembly.
- Connect the compressor to the system as soon as possible to avoid oil contamination from ambient moisture.

- Avoid material entering into the system while cutting tubes. Never drill holes where burrs cannot be removed.
- Braze with great care using state-of-the-art technique and vent piping with nitrogen gas flow.
- Connect the required safety and control devices. When the schrader port is used for this, remove the internal valve.
- Do not exceed the maximum tightening torque for rotolock connections:

Rotolock connections	Tightening torque
1" rotolock	80 Nm
1 1/4" rotolock	90 Nm
1 3/4" rotolock	110 Nm
2 1/4" rotolock	145 Nm.

8 – Leak detection

⚠ Never pressurize the circuit with oxygen or dry air. This could cause fire or explosion.

- SM 084 to 185, SY 380, SZ 084 to 185, SZ 380, DSH / SH / WSH 090 to 184: Pressurize the system on HP side first and then on LP side. Never let the pressure on LP side exceed the pressure on HP side with more than 5 bar. Such pressure difference could cause internal compressor damage.
- Do not use dye for leak detection.
- Perform a leak detection test on the complete system.
- The test pressure must not exceed 1.1 x PS value for LP side and PS value for HP side indicated on compressor nameplate.
- When a leak is discovered, repair the leak and repeat the leak detection.

9 – Vacuum dehydration

- Never use the compressor to evacuate the system.
- Connect a vacuum pump to both the LP & HP sides.
- Pull down the system under a vacuum of 500 µm Hg (0.67 mbar) absolute.
- Do not use a megohmmeter nor apply power to the compressor while it is under vacuum as this may cause internal damage.

10 – Electrical connections

- Switch off and isolate the main power supply. See overleaf for wiring details.
- All electrical components must be selected as per local standards and compressor requirements.

- Refer to section 4 for electrical connections details.
- The Danfoss scroll compressors only works correctly in one rotation direction. Line phases L1, L2, L3 must absolutely be connected to compressor terminals T1, T2, T3 to avoid reverse rotation.
- Use ø 4.8 mm (3/16") screws and ¼" ring terminals for the power connection. Fasten with 3 Nm torque.
- The thermostat connection (if present) is a ¼" AMP-AWE spade connector.
- The compressor must be connected to earth with the 5 mm earth terminal screw.

11 – Filling the system

- Keep the compressor switched off.
- Fill the refrigerant in liquid phase into the condenser or liquid receiver. The charge must be as close as possible to the nominal system charge to avoid low pressure operation and excessive superheat. Never let the pressure on LP side exceed the pressure on HP side with more than 5 bar. Such pressure difference could cause internal compressor damage.
- Keep the refrigerant charge below the indicated charge limits if possible. Above this limit; protect the compressor against liquid flood-back with a pump-down cycle or suction line accumulator.
- Never leave the filling cylinder connected to the circuit.

Compressor models	Refrigerant charge limit (kg)
SM/SZ 084, 090, 100	8.5
SM/SZ 110, 120	10
SM 112, 124, 147, SZ147	7.9
SM/SZ 115, 125	11
SM/SZ 148, 160, 161	12.5
SM/SZ 175, 185	13.5
SY/SZ 240	16
SY/SZ 380	20
DSH / SH / WSH 090	5.9
DSH / SH / WSH 105, 120, 140, 161, 184	7.9
SH 180, 240, 295, 300	13.5
DSH 240,295	15
SH 380	14.5
SH 485, DSH600, DSH 381,485	17

Instructions

12 – Verification before commissioning

△ Use safety devices such as safety pressure switch and mechanical relief valve in compliance with both generally and locally applicable regulations and safety standards. Ensure that they are operational and properly set.

△ Check that the settings of high-pressure switches and relief valves don't exceed the maximum service pressure of any system component.

- A low-pressure switch is recommended to avoid vacuum operation. Minimum setting for SM/SY/SZ: 0.5 bar g. Minimum setting for DSH / SH / WSH: 1.7 bar g.
- Verify that all electrical connections are properly fastened and in compliance with local regulations.
- When a crankcase heater is required, it must be energized at least 12 hours before initial start-up and start-up after prolonged shutdown for belt type crankcase heaters (6 hours for surface sump heaters).

13 – Start-up

△ Never operate the compressor without the electrical box cover fitted.

- Never start the compressor when no refrigerant is charged.
- All service valves must be in the open position.
- Balance the HP/LP pressure.
- Energize the compressor. It must start promptly. If the compressor does not start, check wiring conformity and voltage on terminals.
- Eventual reverse rotation can be detected by following phenomena; the compressor doesn't build up pressure, it has abnormally high sound level and abnormally low power consumption. In such case, shut down the compressor immediately and connect the phases to their proper terminals. Most Danfoss scroll compressors are protected against reverse rotation either by an internal reverse rotation protection or by the external electronic protection module. They will shut off automatically. Only SM 112, 124, 147, SZ147 have no reverse rotation protection. Prolonged reverse rotation will damage these compressors.
- If the internal overload protector trips out (SM/SZ 084, 090, 100, 110, 112, 120, 124, 147, 148, 161 and DSH / SH / WSH 090, 105, 120, 140, 161, 184), it must cool down to 60°C to reset. Depending on ambient temperature, this may take up to several hours.
- If the internal pressure relief valve is opened (SY/SZ 240, 300, 380 / SH 380, 485 / DSH 381, 485, DSH600), the compressor sump will be warm and the compressor will trip out on the motor protector.

14 – Check with running compressor

- Check current draw and voltage.
- Check suction superheat to reduce risk of slugging.
- Observe the oil level in the sight glass for about 60 minutes to ensure proper oil return to the compressor.
- Respect the operating limits.
- Check all tubes for abnormal vibration. Movements in excess of 1.5 mm require corrective measures such as tube brackets.
- When needed, additional refrigerant in liquid phase may be added in the low-pressure side as far as possible from the compressor. The compressor must be operating during this process.
- Do not overcharge the system.
- Never release refrigerant to atmosphere.
- For reversible systems, ensure that the 4-way valve does not reverse when the compressor is stopped due to heating or cooling demand (stop on thermostat)
- Before leaving the installation site, carry out a general installation inspection regarding cleanliness, noise and leak detection.
- Record type and amount of refrigerant charge as well as operating conditions as a reference for future inspections.

15 – Maintenance

△ Internal pressure and surface temperature are dangerous and may cause permanent injury. Maintenance operators and installers require appropriate skills and tools. Tubing temperature may exceed 100°C and can cause severe burns.

△ Ensure that periodic service inspections to ensure system reliability and as required by local regulations are performed.

To prevent system related compressor problems, following periodic maintenance is recommended:

- Verify that safety devices are operational and properly set.
- Ensure that the system is leak tight.
- Check the compressor current draw.
- Confirm that the system is operating in a way consistent with previous maintenance records and ambient conditions.
- Check that all electrical connections are still adequately fastened.
- Keep the compressor clean and verify the absence of rust and oxidation on the compressor shell, tubes and electrical connections.

16 - Warranty

Always transmit the model number and serial number with any claim filed regarding this product. The product warranty may be void in following cases:

- Absence of nameplate.
- External modifications; in particular, drilling, welding, broken feet and shock marks.
- Compressor opened or returned unsealed.
- Rust, water or leak detection dye inside the compressor.
- Use of a refrigerant or lubricant not approved by Danfoss.
- Any deviation from recommended instructions pertaining to installation, application or maintenance.
- Use in mobile applications.
- Use in explosive atmospheric environment.
- No model number or serial number transmitted with the warranty claim.

The compressor is not designed to withstand natural disasters such as earthquakes, cyclones, floods.... or extreme events such as fires, terrorist attacks, military bombardments, or explosions of any kind.

Danfoss Commercial Compressor is not liable for any malfunction of its product resulting from such events

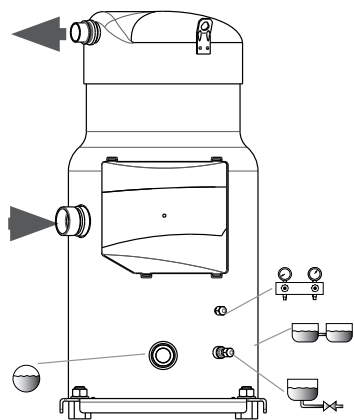
17 – Disposal



Danfoss recommends that compressors and compressor oil should be recycled by a suitable company at its site.

Instructions

Danfoss scroll compresseurs DSH / SM / SY / SZ / SH / WSH



1 - Introduction

Ces instructions s'appliquent aux compresseurs scroll Danfoss DSH, SM, SY, SZ, SH et WSH utilisés pour les systèmes de climatisation. Elles fournissent les informations nécessaires à la sécurité et à l'utilisation de ce produit.

2- Nameplate



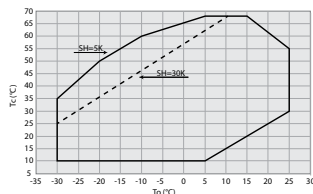
- A:** Modèle
- B:** Numéro de série
- C:** Fluide frigorigène
- D:** Tension, courant de démarrage, courant de fonctionnement max.
- E:** Pression de service du compresseur
- F:** Type d'huile chargé en usine



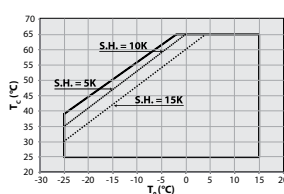
Toute opération de montage et d'entretien du compresseur doit exclusivement être effectuée par un personnel qualifié. Le montage, la mise en service, la maintenance et la réparation doivent être effectués conformément aux présentes instructions ainsi qu'aux règles de l'art en matière de réfrigération.

3 - Plages d'application

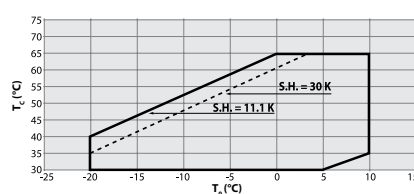
R410A - DSH090-184



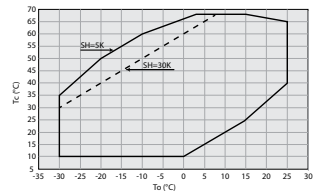
R410A - WSH



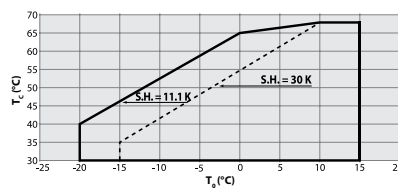
R404A & R507A - SZ084-185



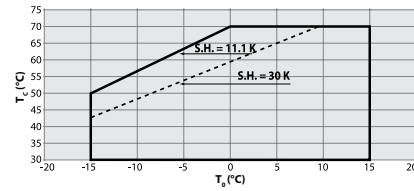
R410A - DSH240-485



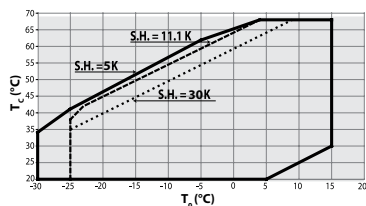
R407C Conditions du point de rosée - SZ084-185



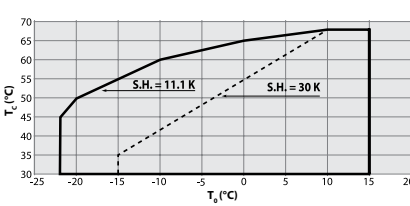
R134a - SZ084-185



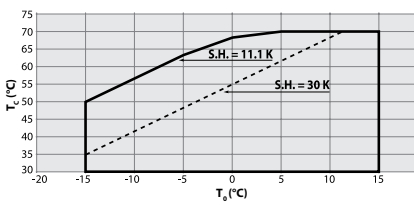
R410A - SH



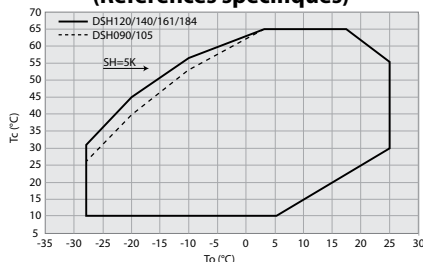
R407C Conditions du point de rosée - SZ240-380



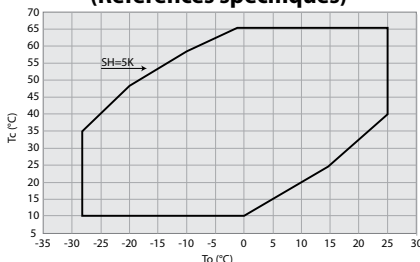
R134a - SY240-380



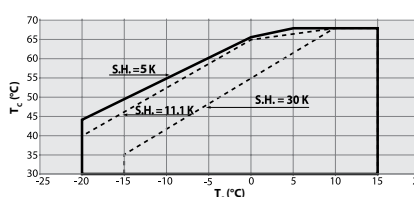
R452B / R454B DSH090-184 (Références spécifiques)



R452B / R454B - DSH240-485 (Références spécifiques)



R22 & R417A - SM - SY



Lorsque les compresseurs SM sont utilisés avec du R417A, l'huile minérale remplie en usine 160P doit être remplacée par de l'huile polyoléster 160SZ.



⚠ Ce compresseur doit uniquement être employé aux fins pour lesquelles il a été conçu et dans le respect de ses conditions d'utilisation (se reporter à la rubrique « Limites d'utilisation »). Se reporter aux directives d'application et aux fiches techniques disponibles à l'adresse cc.danfoss.com.

⚠ En toutes circonstances, la directive EN378 (ou une autre réglementation de sécurité locale applicable) doit être respectée.

Le compresseur est fourni sous pression d'azote (entre 0,3 et 0,7 bar) et ne peut donc pas être raccordé tel quel. Se reporter à la rubrique « Assemblage » pour plus d'informations.

Le compresseur doit être manipulé avec précaution en position verticale (décalage maximal par rapport à la verticale : 15°).

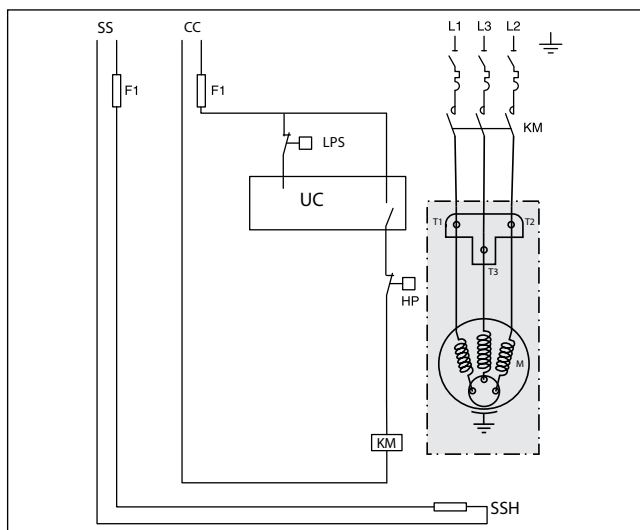
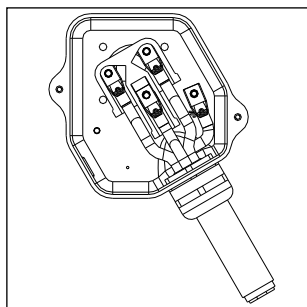
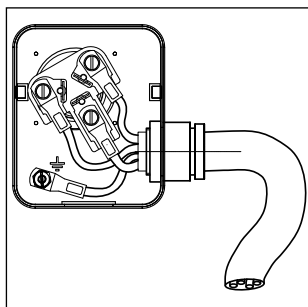
Instructions

4 - Raccordements électriques

DSH / SH / WSH 090 - 105 - 120 - 140 * - 161* - 184*
SM 084 - 090 - 100 - 110 - 112 - 120 - 124 - 147 - 148 - 161
SZ 084 - 090 - 100 - 110 - 120 - 147 - 148 - 161

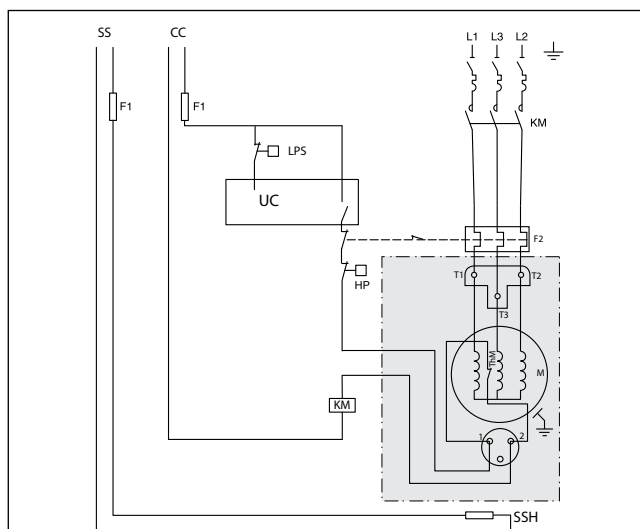
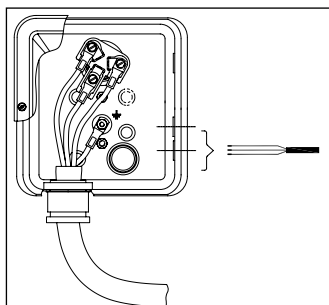
Ces compresseurs Danfoss sont protégés contre la surchauffe et la surcharge par un dispositif interne de protection du moteur. Toutefois, il est recommandé d'utiliser un disjoncteur de surcharge à réarmement manuel externe pour protéger le circuit contre les surintensités.

Tous les modèles sauf DSH / SH/WSH140-3 & 161-3 & 184 **DSH / SH / WSH 140-3 & 161-3 & 184**



SM / SZ 115 - 125 - 160 - 175 - 185 versions avec thermostat

Ces compresseurs Danfoss sont fournis avec un thermostat unipolaire bilame situé dans les enroulements du moteur. Comme le thermostat est un dispositif à réarmement automatique, il doit être câblé dans un circuit de verrouillage de sécurité avec réarmement manuel pour pouvoir redémarrer l'appareil. Pour une protection contre les surintensités, il convient d'utiliser un dispositif externe de protection contre les surcharges à réarmement manuel.



SH 180 - 240 - 295 - 300 - 380

DSH 240 - 295 - 381

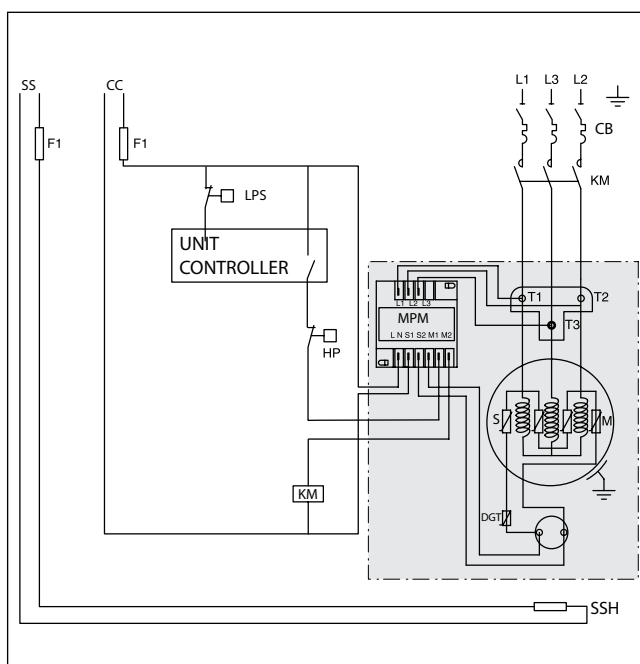
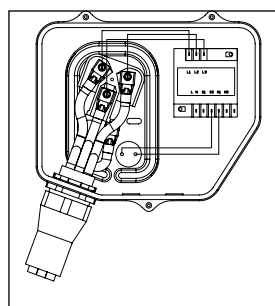
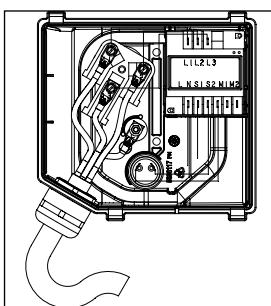
SY/ SZ 240 - 300 - 380

SM / SZ 185 versions with electronic module

Ces moteurs de compresseurs Danfoss sont protégés par un module externe qui protège contre la perte et l'inversion de phases, la surchauffe et le courant absorbé élevé.

Tous les modèles sauf SH380-3

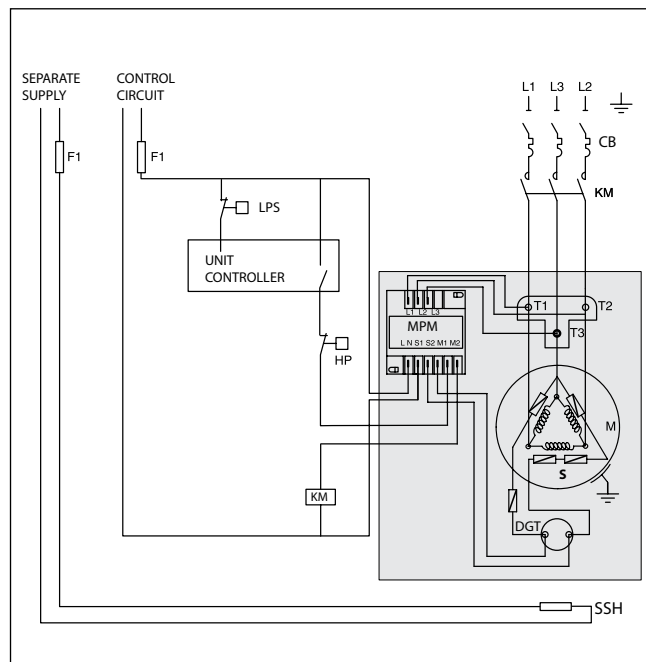
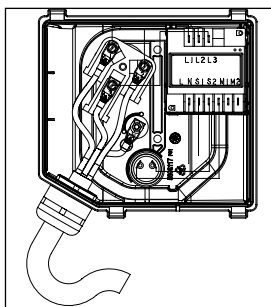
SH380-3



Instructions

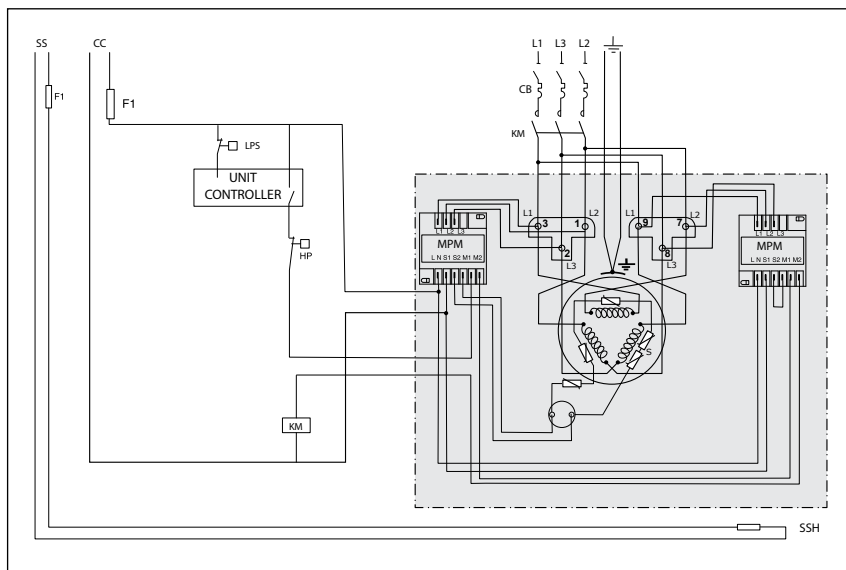
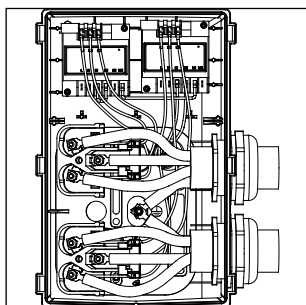
SH/DSH485, DSH600

Ces moteurs de compresseurs Danfoss sont protégés par un module externe qui protège contre la perte et l'inversion de phases, la surchauffe et le courant absorbé élevé.



DSH485-3

Ces moteurs de compresseurs Danfoss sont protégés par deux modules externes qui protègent contre la perte et l'inversion de phases, la surchauffe et le courant absorbé élevé.



Légende :

Fusibles..... F1
 Contacteur du compresseur..... KM
 Pressostat pump down..... BP
 Commutateur de sécurité haute pression HP
 Thermistance de gaz refoulement (incorporé dans les compresseurs DSH240-600 et SH485) DGT

Résistance de carter surfacique SSH
 Moteur du compresseur..... M
 Module de protection du moteur..... MPM
 Chaîne de thermistance..... S
 Pressostat de sécurité LPS
 Disjoncteur moteur magnéto-thermique..... CB

Instructions

5 – Manutention et stockage

- Manipuler le compresseur avec précaution. Utiliser les poignées prévues à cet effet dans l'emballage. Utiliser l'oreille de levage du compresseur ainsi qu'un équipement de levage adapté à une manutention en toute sécurité.
- Stocker et transporter le compresseur en position verticale.
- Stocker le compresseur entre les valeurs de température Ts min et Ts max pour la basse pression (LP) indiquées sur l'étiquette du compresseur.
- Ne pas exposer le compresseur et l'emballage aux intempéries ou à des substances corrosives

6 – Mesures de sécurité préalables à l'assemblage

⚠ Ne jamais utiliser le compresseur dans une atmosphère inflammable.

- Avant montage, s'assurer que le compresseur ne présente pas des signes évidents de détérioration qui auraient pu survenir pendant des transports, manutentions ou stockages inappropriés.
- La température ambiante ne doit jamais excéder la valeur de Ts max pour la basse pression (LP) indiquée sur l'étiquette quand le compresseur est à l'arrêt.
- Monter le compresseur sur une surface plane horizontale dont l'inclinaison est inférieure à 3°.
- Vérifier que l'alimentation électrique correspond aux caractéristiques du moteur du compresseur (se reporter à la plaque signalétique).
- Pour le montage du DSH ou du SZ ou du SH ou du WSH, utiliser un équipement spécifiquement réservé aux réfrigérants HFC, qui n'a jamais été utilisé avec des réfrigérants CFC ou HCFC.
- Utiliser des tubes en cuivre de qualité frigorifique, propres et déshydratés, ainsi que de la brasure à base d'argent.
- Utiliser des composants propres et déshydratés.
- Le tuyau raccordé au compresseur doit présenter une souplesse tridimensionnelle de manière à atténuer les vibrations.

7 – Assemblage

- Le compresseur doit être monté sur rails ou sur châssis, en respectant les recommandations Danfoss décrites dans les documentations produits associées (type d'entretoises, couples de serrage).
- Réduire progressivement la pression d'azote interne via le raccord Schrader.
- Retirer les joints pour braser les raccords Rotolock.
- Utiliser systématiquement des joints neufs pour l'assemblage.
- Raccorder le compresseur au système le plus rapidement possible pour éviter que l'huile ne soit contaminée par l'humidité ambiante.
- Éviter que des impuretés ne pénètrent dans le système lors de la découpe des tubes. Ne jamais effectuer de perçage si les copeaux ne peuvent pas être retirés.
- Prendre les plus grandes précautions lors du brasage, se conformer scrupuleusement aux règles de l'art et dégazer la tuyauterie avec un flux d'azote.
- Raccorder les dispositifs de sécurité et de régulation nécessaires. Retirer la vanne

interne pour utiliser le raccord Schrader à cet effet.

- Ne pas dépasser le couple de serrage maximum des raccords Rotolock :

Raccords Rotolock	Couple de serrage
1" Rotolock	80 Nm
1 1/4" Rotolock	90 Nm
1 3/4" Rotolock	110 Nm
2 1/4" Rotolock	130 Nm

8 – Détection des fuites

⚠ Proscrire l'oxygène et l'air sec pour mettre le circuit sous pression. Ceci pourrait provoquer un incendie ou une explosion.

- SM 084 à 185, SY 380, SZ 084 à 185, SZ 380, DSH / SH / WSH 090 à 184 : Mettre le système sous pression du côté HP d'abord puis du côté BP. Ne jamais laisser la pression du côté BP dépasser la pression du côté HP de plus de 5 bar. Cette différence de pression peut

entraîner des dommages sur le compresseur interne.

- Ne pas utiliser de traceur pour la détection des fuites.
- Procéder à un test de détection des fuites sur l'ensemble du système.
- La pression de test ne doit pas dépasser la valeur 1.1 x Ps pour la basse pression (LP) et la valeur Ps pour la haute pression (HP) indiquées sur l'étiquette du compresseur.
- En cas de fuite, procéder à la réparation puis renouveler le test de détection des fuites.

9 – Déshydratation et tirage au vide

- Ne jamais utiliser le compresseur pour faire le vide dans le système.
- Raccorder une pompe à vide côté BP et côté HP.
- Faire le vide dans le système à raison d'une pression absolue de 500 µm Hg (0,67 mbar).
- Ne pas mettre le compresseur sous tension ni utiliser de mégohmmètre lorsque le compresseur est sous vide, sous peine de provoquer des dommages internes.

10 – Raccordements électriques

- Couper et isoler l'alimentation électrique principale. Se reporter au verso pour les détails de câblage.
- Sélectionner les composants électriques conformément aux spécifications du compresseur et aux normes locales en vigueur.
- Se reporter à la partie 4 pour les détails des raccordements électriques.
- Le compresseur à spirales Danfoss fonctionne correctement dans un seul sens de rotation. Les lignes de phase L1, L2 et L3 doivent absolument être raccordées aux bornes T1, T2 et T3 du compresseur afin d'éviter toute rotation inversée.
- Utiliser des vis de 4,8 mm (3/16") de diamètre et des cosses à anneau 1/4" pour l'alimentation. Serrer avec un couple de 3 Nm.
- Le raccord du thermostat (le cas échéant) est un raccord en fourche AMP-AWE 1/4".
- Le compresseur doit être relié à la terre avec la vis de la borne de terre de 5 mm.

11 – Remplissage du système

- Laisser le compresseur hors tension.
- Verser le réfrigérant en phase liquide dans le condenseur ou la bouteille de liquide. La

charge doit se rapprocher le plus possible de la charge nominale du système afin d'éviter un fonctionnement à trop basse pression ainsi qu'une surchauffe excessive. Ne jamais laisser la pression du côté BP dépasser la pression du côté HP de plus de 5 bar. Cette différence de pression peut entraîner des dommages sur le compresseur interne.

- Maintenir si possible la charge de réfrigérant inférieure aux limites de charge indiquées. Au-delà de ce seuil, protéger le compresseur du retour de liquide par un cycle de tirage au vide simple à l'arrêt ou une bouteille anti-coups de liquide à l'aspiration.
- Ne jamais laisser le cylindre de remplissage raccordé au circuit.

Modèles de compresseurs	Limite de charge de réfrigérant (kg)
SM/SZ 084, 090, 100	8.5
SM/SZ 110, 120	10
SM 112, 124, 147, SZ147	7.9
SM/SZ 115, 125	11
SM/SZ 148, 160, 161	12.5
SM/SZ 175, 185	13.5
SY/SZ 240	16
SY/SZ 380	20
DSH / SH / WSH 090	5.9
DSH / SH / WSH 105, 120, 140, 161, 184	7.9
SH 180, 240, 295, 300	13.5
DSH 240, 295	15
SH 380	14.5
SH 485, DSH600, DSH 381, 485	17

12 – Vérifications préalables à la mise en service

⚠ Utiliser des dispositifs de sécurité (pressostat, soupape de sécurité mécanique) conformes aux réglementations et normes de sécurité générales et locales en vigueur. S'assurer qu'ils sont opérationnels et correctement réglés.

⚠ Vérifier que le réglage des pressostats haute pression et des soupapes de sécurité ne dépasse pas la pression de service maximale des composants du système.

- L'utilisation d'un pressostat basse pression est recommandée pour empêcher tout fonctionnement sous vide. Réglage minimum des SM/SY/SZ : 0,5 bar g. Réglage minimum du DSH / SH / WSH : 1,7 bar g.
- Vérifier que tous les raccords électriques sont bien serrés et conformes aux réglementations locales.
- Si une résistance de carter est nécessaire, elle doit être mise sous tension au minimum 12 heures avant la mise en service initiale et/ou après des périodes d'arrêt prolongé pour les résistances de carter type ceinture (6 heures pour les résistances de surface).

13 – Mise en service

- ⚠ Ne jamais faire fonctionner le compresseur sans le couvercle du boîtier électrique.
- Ne jamais démarrer le compresseur en l'absence de réfrigérant.
- Toutes les vannes de service doivent être en position ouverte.
- Procéder à l'équilibrage HP/BP.
- Mettre le compresseur sous tension. Il doit démarrer immédiatement. Si le compresseur ne démarre pas, vérifier la conformité du câblage et la tension aux bornes.
- Toute éventuelle rotation inversée peut être détectée par les phénomènes suivants

Instructions

: le compresseur ne crée pas de pression, le niveau sonore est anormalement élevé et la consommation électrique est anormalement faible. Dans ce cas, arrêter immédiatement le compresseur et relier les phases à leurs bornes respectives. La plupart des compresseurs à spirales Danfoss sont protégés contre la rotation inversée par un dispositif de protection interne contre les rotations inversées ou par le module de protection électronique externe. Ils s'arrêteront automatiquement. Seuls les SM112, 124, 147, SZ147 ne sont pas équipés de dispositif de protection contre les rotations inversées. Toute rotation inversée endommagera ces compresseurs.

- Si le dispositif de protection interne contre les surcharges se déclenche (SM/SZ 084, 090, 100, 110, 112, 120, 124, 147, 148, 161 et DSH / SH / WSH 090, 105, 120, 140, 161, 184), il doit être refroidi à 60 °C avant d'être réarmé. Cela peut nécessiter plusieurs heures, en fonction de la température ambiante.
- Si le détendeur de pression interne est ouvert (SY/SZ 240, 300, 380 / SH 380, 485 / DSH 381, 485, DSH600), le carter du compresseur sera chaud et le compresseur se déclenchera sur le dispositif de protection du moteur.

14 – Vérifications avec compresseur en marche

- Vérifier la tension et le courant absorbé.
- Vérifier la surchauffe à l'aspiration pour réduire les risques de coups de réfrigérant.
- Observer le voyant qui indique le niveau d'huile pendant environ 60 minutes afin de garantir un retour d'huile correct vers le compresseur.
- Respecter les limites de fonctionnement.
- Contrôler le niveau de vibration de l'ensemble des tubes. Tout déplacement sur plus d'1,5 mm nécessite des actions correctives telles que des supports.
- Si besoin est, effectuer un complément de charge de réfrigérant en phase liquide côté basse pression, le plus loin possible du compresseur. Maintenir le compresseur en marche au cours de cette opération.

- Éviter toute surcharge du système.
- Ne jamais libérer de réfrigérant dans l'atmosphère.
- Pour les systèmes réversibles, s'assurer que la vanne 4 voies ne change pas de position lorsque le compresseur est arrêté sur demande de chauffage ou de refroidissement (arrêt sur thermostat).
- Avant de quitter le site de l'installation, effectuer une tournée d'inspection générale pour s'assurer de la propreté, de l'absence de bruits et de fuites.
- Noter le type et la quantité de la charge de réfrigérant ainsi que les conditions de service à titre de référence pour les inspections ultérieures.

15 – Maintenance

⚠ La pression interne et la température de surface sont dangereuses et susceptibles de provoquer des blessures irréversibles. Les agents de maintenance et monteurs doivent disposer de compétences et d'équipements adaptés. La température des tuyaux peut être supérieure à 100 °C. Elle peut donc provoquer des brûlures graves.

⚠ S'assurer que les inspections périodiques de fonctionnement prescrites par les réglementations locales et nécessaires au contrôle de fiabilité du système sont bien effectuées.

Pour éviter tout problème lié au compresseur, les opérations de maintenance périodique suivantes sont recommandées :

- Vérifier que les dispositifs de sécurité sont opérationnels et correctement réglés.
- Contrôler l'étanchéité du système.
- Vérifier le courant absorbé par le compresseur.
- S'assurer que le fonctionnement du système ne présente pas d'écart notable par rapport aux rapports de maintenance et conditions ambiantes précédentes.
- Contrôler que tous les raccords électriques soient toujours bien serrés.
- Veiller à la propreté du compresseur et vérifier

l'absence de rouille ou d'oxydation au niveau de l'enveloppe du compresseur, des tubes et des raccordements électriques.

16 – Garantie

Fournir systématiquement la référence du modèle et le numéro de série en cas de réclamation.

La garantie du produit peut être annulée dans les cas de figure suivants :

- Absence de plaque signalétique.
- Modifications extérieures et plus spécialement perçage, soudage, pieds cassés, traces de chocs.
- Compresseur ouvert ou retourné non scellé.
- Présence de rouille, d'eau ou de traceur de détection des fuites à l'intérieur du compresseur.
- Utilisation d'un réfrigérant ou d'un lubrifiant non homologué par Danfoss.
- Non-respect des instructions spécifiques au montage, à l'application ou à la maintenance.
- Utilisation dans des applications mobiles.
- Utilisation dans des atmosphères déflagrantes.
- Absence de référence de modèle ou de numéro de série accompagnant la réclamation au titre de la garantie.

Le compresseur n'est pas conçu pour résister à des catastrophes naturelles de type tremblements de terre, cyclones, inondations... ni pour des événements extrêmes tels que des incendies, attaques terroristes, bombardements militaires ou explosions fortuites de toutes natures.

Danfoss Commercial Compressor ne saurait être tenu responsable d'un dysfonctionnement de son produit faisant suite à de tels événements.

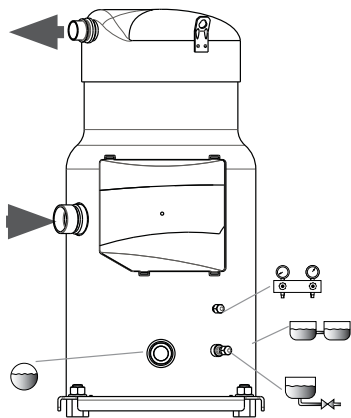
17 – Mise au rebut



Danfoss préconise le recyclage des compresseurs et des huiles de compresseur par une société spécialisée sur son site.

Danfoss 压缩机

DSH / SM / SY / SZ / SH / WSH



1 - 概述

这些概述面向用于空调系统的 DSH、SM、SY、SZ、SH & WSH 涡旋压缩机。它们提供了有关产品的安全和正确使用的必要信息。

2- 铭牌

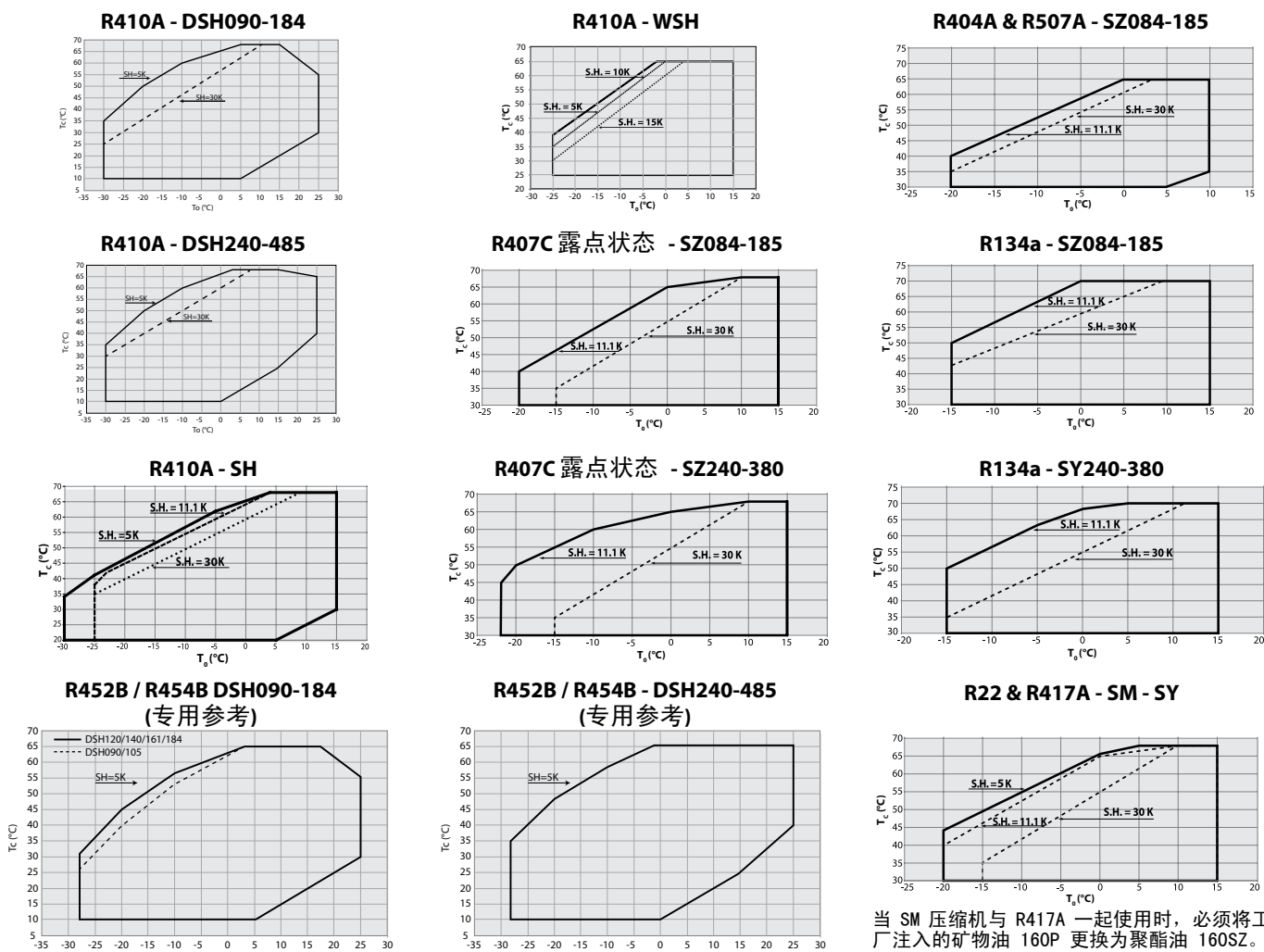


- A:** 型号
- B:** 序列号
- C:** 制冷剂
- D:** 电源电压、启动电流、最大工作电流
- E:** 外壳工作压力
- F:** 工厂注入的润滑油



本压缩机须由经过培训的人员安装和维护。并按照以下说明以及与安装、运行和维护相关的制冷工程知识。

3- 运行范围



当 SM 压缩机与 R417A 一起使用时，必须将工厂注入的矿物油 160P 更换为聚酯油 160SZ。

⚠ 该压缩机只能用于指定用途及其应用范围之内（请参考《使用限制》）。请查阅 cc.danfoss.com 提供的指南和数据表

⚠ 在所有情况下都必须达到 EN378（或其他适用的当地安全规定）要求。

该压缩机是根据氮气压力（0.3 到 0.7 bar 之间）提供的，因此无法按原样连接，有关进一步信息，请参考“组装”一节。

处理压缩机时必须小心，并使其处于垂直位置（至多可偏离垂直位置：15°）

说明

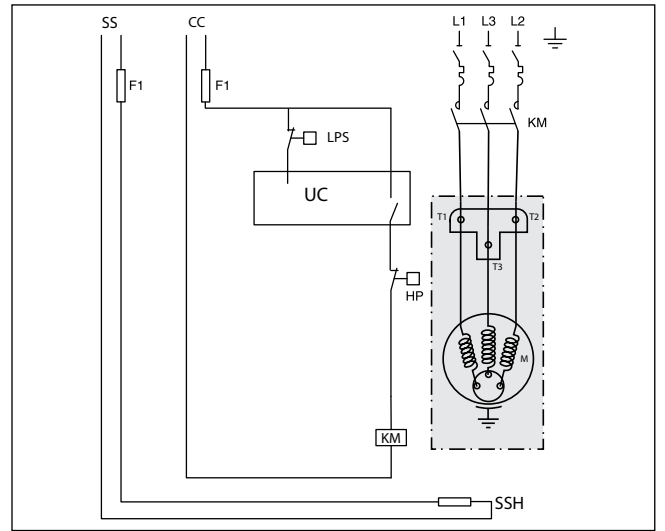
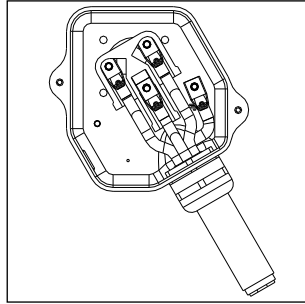
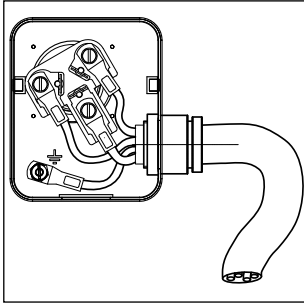
4 - 电气连接

DSH / SH / WSH 090 - 105 - 120 - 140* - 161* - 184*
SM 084 - 090 - 100 - 110 - 112 - 120 - 124 - 147 - 148 - 161
SZ 084 - 090 - 100 - 110 - 120 - 147 - 148 - 161

这些压缩机可通过内部电机保护器，防止电机过热和超载。不过，建议使用外部手动过载保护器对电路进行过电流保护。

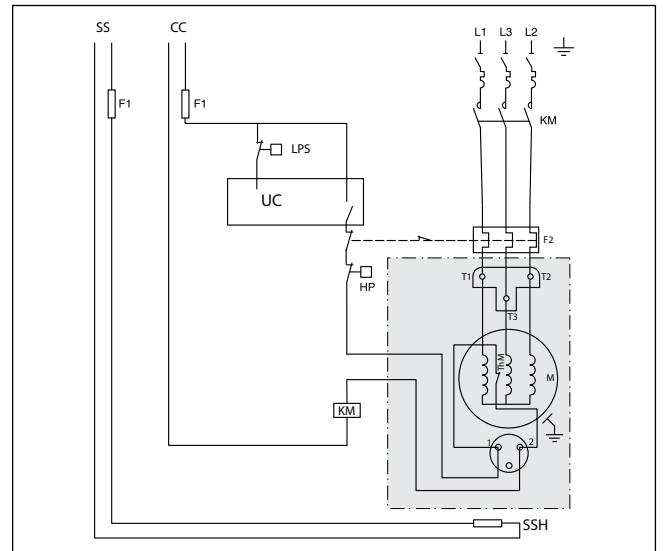
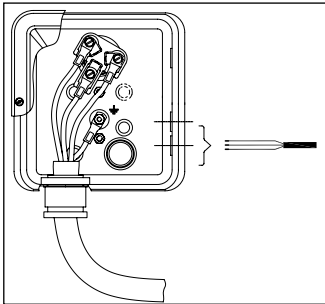
所有型号 (DSH / SH / WSH 140-3、161-3 和 184 除外)

DSH / SH / WSH 140-3、161-3 和 184



SM / SZ 115 - 125 - 160 - 175 - 185 带温度控制器的型号

这些压缩机内置一个双金属片温度控制器，该控制器位于电机绕组中。由于该温度控制器是一个自动复位装置，所以必须通过手动复位重启压缩机。为了对过电流进行保护，必须使用外部手动复位过载保护器。



SH 180 - 240 - 295 - 300 - 380

DSH 240 - 295 - 381

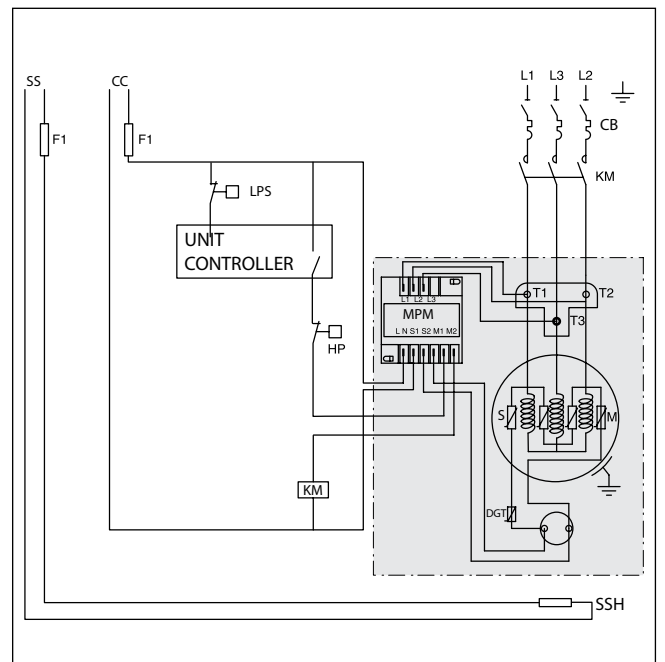
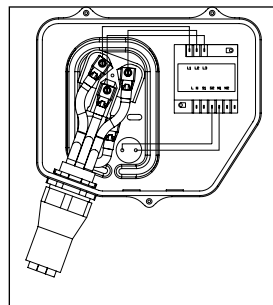
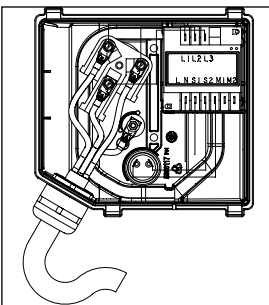
SY / SZ 240 - 300 - 380

SM / SZ 185 带电子模块的型号

这些压缩机电动机受外部模块保护，以防止缺相/相位颠倒、过热和过电流。

所有型号
SH380-3 除外

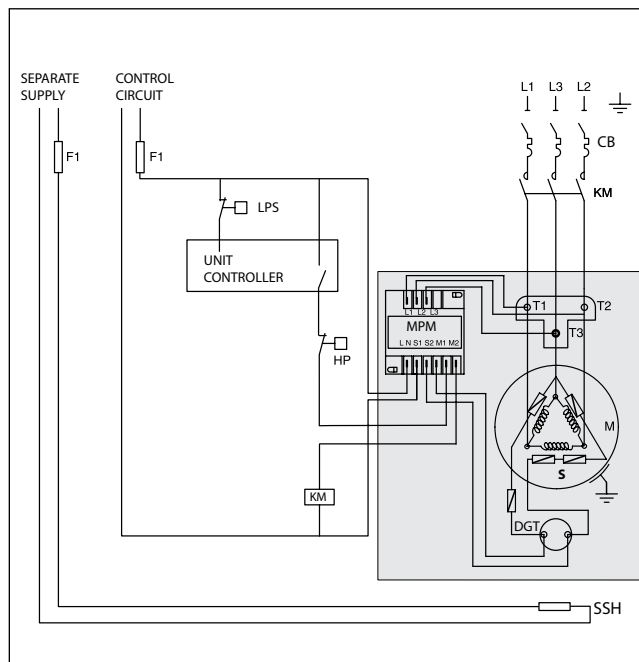
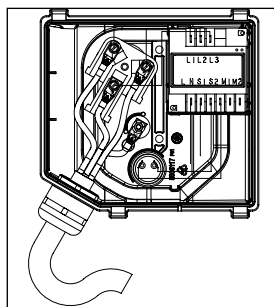
SH380-3



说明

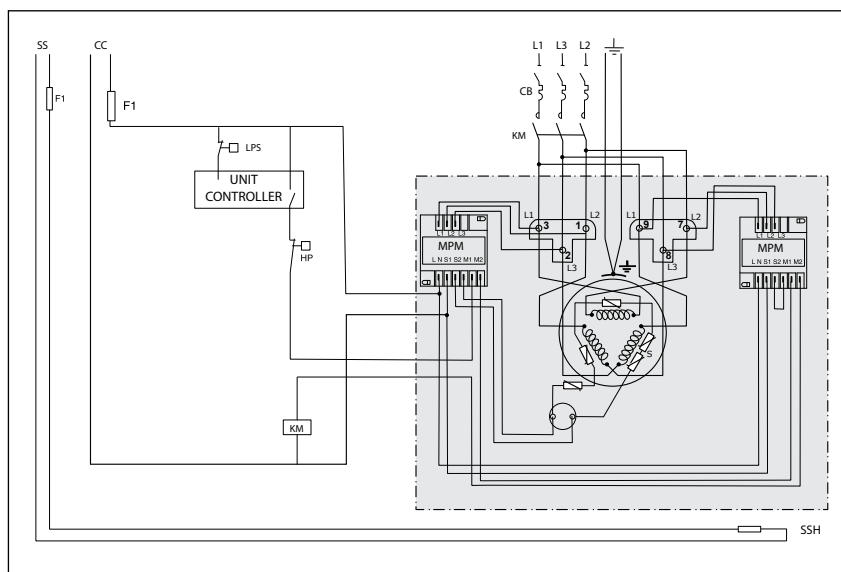
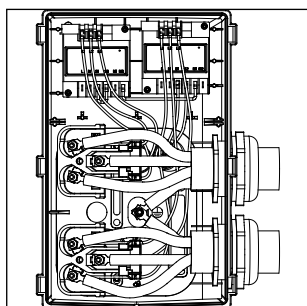
SH/DSH485, DSH600

这些 压缩机 电动机受外部模块保护，以防止缺相/相位颠倒、过热和过电流。



DSH485-3

压缩机电机受外部模块保护，防止缺相，反转，过热和过电流



图例:

保险丝 F1
 压缩机接触器 KM
 高压安全开关 HP

排温保护器 (内置在压缩机 DSH 240-600 和 SH 485) DGT
 表面式曲轴箱加热器 SSH
 压缩机电动机 M

电动机保护模块 MPM
 热敏电阻测温链 S
 安全压力开关 LPS
 热继电器 CB

说明

5 - 处理和存储

- 处理压缩机时请小心。请使用包装箱内的专用把手。请使用压缩机的吊耳，并采用恰当且安全的起重设备。
- 请将压缩机竖直存储和运输。
- 工作温度在低压侧的最大最小值在铭牌上已标识。
- 请勿让压缩机和包装箱淋雨或是放在腐蚀性环境中。

6 - 组装前的安全措施

- △ 切勿在易燃环境中使用压缩机。
- 在装配前检查压缩机，检查其是否在运输、搬运或储存过程中有明显的损坏。
 - 存储时，压缩机所处的环境温度不得超过铭牌上所标识的工作温度在低压侧的最大值。
 - 在坡度小于 3° 的水平面上安装压缩机。
 - 确保电源与压缩机的电动机特性对应（请参见铭牌）。
 - 安装 DSH 或 SH 或 WSH 或 SZ 压缩机时，使用专门为 HFC 制冷剂的设备，该设备不得用于 CFC 或 HCFC 制冷剂。
 - 请使用干净且已脱水的制冷级铜管和银钎焊合金。
 - 请使用干净且已脱水的系统组件。
 - 与压缩机相连的管道在空间上必须有弹性，以降低振动。

7 - 组装

- 压缩机必须根据相关产品手册的建议（垫片的类型，紧固力矩）安装在导轨或底盘上。
- 通过注液阀口慢慢释放氮气。
- 对螺纹口接头进行铜焊时，先取出垫圈。
- 组装时始终使用新的垫圈。
- 尽快将压缩机连接至系统，以避免周围环境中的水分污染润滑油。
- 切割管道时，避免材料进入系统。若无法去除毛刺，切勿钻孔。
- 采用最新技术、利用通风管中的氮气流进行铜焊，并且要格外小心。
- 连接所需的保护装置和控制器。使用注液阀口进行连接时，请拆掉内阀。
- 不要超过旋锁阀连接的最大紧固力矩：

旋锁阀连接	紧固力矩
1" 旋锁阀	80 Nm
1 1/4" 旋锁阀	90 Nm
1 3/4" 旋锁阀	110 Nm
2 1/4" 旋锁阀	130 Nm

8 - 泄漏检测

- △ 切勿用氧气或干燥空气给回路增压。这会酿成火灾或爆炸。
- SM 084 至 185、SY 380、SZ 084 至 185、SZ 380、DSH 090 至 184、SH 090 至 184、WSH 090 至 184：先在高压端密封该系统，然后在低压端密封该系统。切勿

- 让低压端上的压力超过高压端 5 bar。否则，这样的压差会导致压缩机内部损伤。
- 请勿使用染料来进行泄漏检测。
 - 对整个系统进行泄漏检测。
 - 测试压力不得超出铭牌上所标识的工作压力在低压侧限定值的 1.1 倍和高压侧的限定值。
 - 如果发现泄漏，则检修泄漏并再次进行泄漏检测。

9 - 真空脱水

- 切勿使用压缩机将系统排空。
- 将真空泵连接至低压和高压端。
- 将系统降至真空绝对值 500 μm Hg (0.67 mbar) 以下。
- 在压缩机处于真空状态时，请勿使用兆欧表测试压缩机，因为这样会造成内部损伤。

10 - 电气连接

- 关闭主电源并将其绝缘。请参阅背面的布线详细资料。
- 所有电气组件的选择必须依据当地标准和压缩机要求进行。
- 电气连接的详细信息请参考第 4 节。
- 涡旋压缩机只能在一个旋转方向正确运行。线相 L1、L2、L3 必须绝对连接到压缩机端子 T1、T2、T3，以避免反转。
- 使用 \varnothing 4.8 毫米 (3/16") 螺栓和 1/4" R 型端子连接电源。以 3 Nm 的扭矩拧紧。
- 温控器连接（如果有）为 1/4" AMP-AWE 扁形接头。
- 必须使用 5 毫米接地端子螺钉将压缩机与地面连接。

11 - 系统充注

- 切断压缩机电源。
- 将制冷剂液体装入冷凝器或液体接收器。充注量必须尽可能接近标称系统充注量，以免操作压力过低或过热。切勿让低压端上的压力超过高压端 5 巴。否则，这样的压差会导致压缩机内部损伤。
- 如果可能的话，让制冷剂充注量保持在指定的充注限制以下。如果超出该限制：请防止压缩机的吸气周期或吸入管累加器出现液体回液。
- 切勿将充注罐一直与回路连接。

压缩机型号	制冷剂充注量 (kg)
SM/SZ 084, 090, 100	8.5
SM/SZ 110, 120	10
SM 112, 124, 147, SZ147	7.9
SM/SZ 115, 125	11
SM/SZ 148, 160, 161	12.5
SM/SZ 175, 185	13.5
SY/SZ 240	16
SY/SZ 380	20

DSH / SH / WSH 090	5.9
DSH / SH / WSH 105, 120, 140, 161, 184	7.9
SH 180, 240, 295, 300	13.5
DSH 240, 295	15
SH 380	14.5
SH 485, DSH600, DSH 381, 485	17

12 - 运行前的核查工作

△ 请依照通用和当地适当的规定和安全标准，使用安全压力开关和机械卸压阀等保护装置。确保它们运行且状态良好。

△ 检查高压开关的设置，并确保卸压阀未超出任何系统组件的最大维修压力。

- 建议采用低压开关，以免真空操作。SM/SY/SZ 的最低设置：0.5 bar g。DSH/SH/WSH 最低设置：1.7 bar g。
- 确保所有电气连接均已正确固定，且符合当地规定。
- 如果需要曲轴箱加热器，必须在初次启动或长期关闭后再行启动前 12 个小时以上通电 对于皮带式曲柄箱加热器（表面槽加热器为 6 小时）

13 - 启动

- △ 切勿在没有安装电气盒盖的情况下操作压缩机。
- 切勿在未充注制冷剂的情况下启动压缩机。
 - 所有检修阀必须处于打开位置。
 - 平衡高低压力。
 - 给压缩机通电，它应会立即启动。如果压缩机没有启动，请检查端子电压以及布线是否一致。
 - 根据以下现象可以检测出反向旋转：压缩机没有形成压力，出现不正常噪声和不正常低功耗。在此情况下，请立即关闭压缩机并将相位连接到正确的端子。大多数涡旋压缩机都可通过内部反向保护或外部电子保护模块来防止反向。它们会自动关闭。只有 SM 112、124、147、SZ147 没有反向保护。持续反向运转会损伤这些压缩机。
 - 如果内部过载保护器断开（SM/SZ 084、090、100、110、112、120、124、147、148、161 和 DSH/SH/WSH 090、105、120、140、161、184），则必须待其冷却至 60°C 后才能复位。这可能需几个小时，具体取决于环境温度。
 - 如果内部减压阀处于打开状态（SY/SZ 240、300、380 / SH 380、485 / DSH 381、485、DSH600），则压缩机油槽将发热，且压缩机将断开电动机保护器。

14 - 检查压缩机的运行情况

- 检查最大电流和电压。
- 检查抽吸过热情况，降低液击风险。

说明

- 观察视镜中的油位约 60 分钟，以确保返回到压缩机的油量适当。
- 请遵守运行限制。
- 检查所有管道是否存在异常振动。如果移动幅度超过 1.5 毫米，则须采用管道托架等纠正措施。
- 如有需要，请向低压端添加更多的液相制冷剂，并尽可能远离压缩机。必须在压缩机运行过程中执行该操作。
- 请勿对系统进行过量充注。
- 切勿将制冷剂洒到周围环境中。
- 对热泵系统，当压缩机因为制热或制冷要求而停机时，要确保四通换向阀不被切换。
- 离开安装场地之前，执行常规安装检查，包括清洁度、噪音和泄漏检测。
- 记录制冷剂的类型和充注量以及工作条件，以供将来检查参考。

15 - 维护

△ 内部压力和表面温度均具有危险性，并可

能造成持久伤害。维护操作员和安装人员需要具备适当的技能和工具。管道温度可能超过 100°C，并会造成严重烧伤。

△ 务必根据当地规定定期进行维修检查，以确保系统的可靠性。

为防止与压缩机相关的系统问题，建议定期进行下列维护操作：

- 检查保护装置是否正确安装和运行。
- 确保系统无漏损。
- 检查压缩机的最大电流。
- 确保系统按照先前的维护记录和周围环境持续运行。
- 检查所有电气连接是否依然紧固。
- 保持压缩机的清洁，确保压缩机壳体、管道和电气连接没有生锈或氧化。

16 - 保修

对该产品进行索赔时，必须提供其型号和序列号。

产品保修在下列情况下无效：

- 无铭牌。

- 外部改装，尤其是钻孔、焊接、脚垫破损以及撞击痕迹。
- 压缩机已打开或返回时未密封。
- 压缩机内生锈，存在水渍或泄漏检测染料。
- 使用未经 Danfoss 批准的制冷剂或润滑剂。
- 任何违背有关安装、应用或维护的建议指示的行为。
- 用于移动应用。
- 在爆炸性环境中使用。
- 进行保修索赔时未提供型号或序列号。

压缩机的设计并不能抵抗自然灾害，例如地震、旋风、洪水等，或极端事件，如火灾、恐怖袭击、军事轰炸，或爆炸等。

丹佛斯商用压缩机对此类事件造成的任何故障不负任何责任。

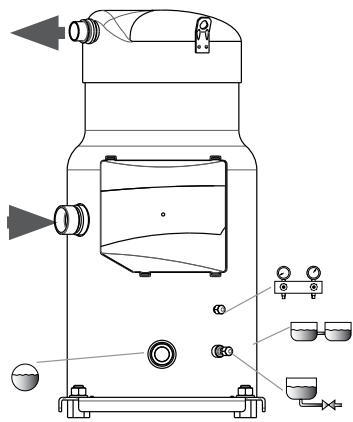
17 - 处理



Danfoss 建议由适当的公司在其站点回收压缩机和压缩机油。

Compressori scroll Danfoss

DSH / SM / SY / SZ / SH / WSH



1 - Introduzione

Queste istruzioni riguardano i compressori scroll Danfoss DSH, SM, SY, SZ, SH & WSH usati nei sistemi per condizionamento d'aria. Esse forniscono le informazioni necessarie in materia di sicurezza e uso corretto del prodotto.

2- Targa dati



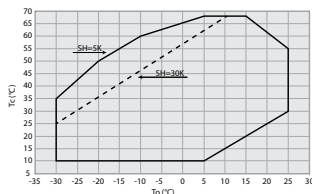
- A:** Modello
- B:** Numero di serie
- C:** Refrigerante
- D:** Tensione di alimentazione, corrente di avviamento e massima corrente di esercizio
- E:** Pressione di esercizio
- F:** Lubrificante caricato in fabbrica



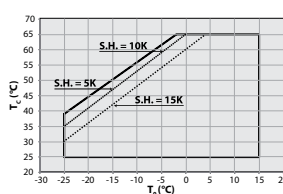
Seguire queste istruzioni e le corrette procedure relative a installazione, messa in servizio, manutenzione e riparazione degli impianti di refrigerazione.

3 - Mappa di funzionamento

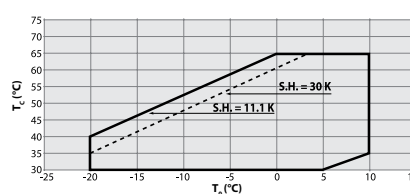
R410A - DSH090-184



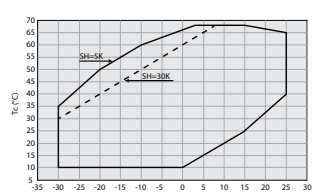
R410A - WSH



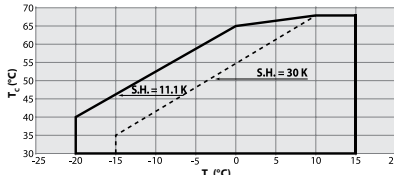
R404A & R507A - SZ084-185



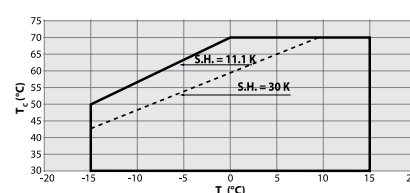
R410A - DSH240-485



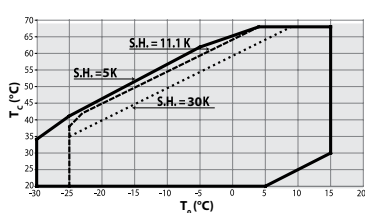
R407C Condizioni del punto di condensa - SZ084-185



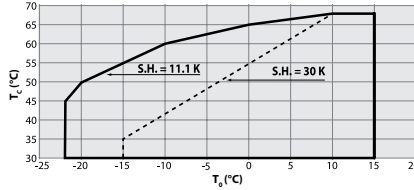
R134a - SZ084-185



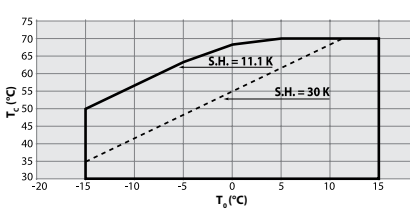
R410A - SH



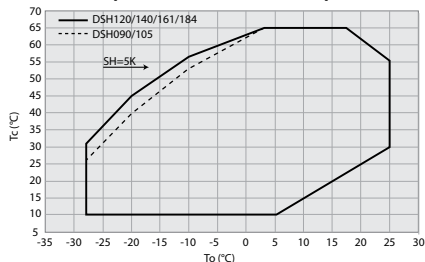
R407C Condizioni del punto di condensa - SZ240-380



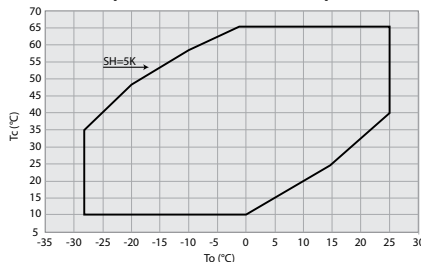
R134a - SY240-380



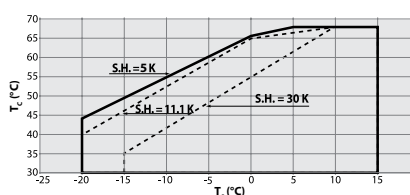
R452B / R454B DSH090-184 (riferimenti dedicati)



R452B / R454B - DSH240-485 (riferimenti dedicati)



R22 & R417A - SM - SY



Quando i compressori SM sono usati con R417A, l'olio minerale caricato in fabbrica 160P deve essere sostituito da olio poliesteri 160SZ.

⚠ Il compressore deve essere utilizzato solo per gli scopi per i quali è progettato e che rientrano nel suo ambito di applicazione (fare riferimento ai «limiti operativi»). Consultare le linee guida per l'applicazione e la scheda tecnica disponibile su cc.danfoss.com

⚠ In qualsiasi circostanza si dovranno soddisfare i requisiti EN378 (o altra norma locale applicabile sulla sicurezza).

Il compressore viene consegnato sotto pressione di gas di azoto (compresa tra 0,3 e 0,7 bar) e pertanto non può essere collegato così com'è; fare riferimento alla sezione «montaggio» per ulteriori dettagli.

Il compressore deve essere movimentato con cautela in posizione verticale (scostamento massimo dalla verticale: 15°)

Istruzioni

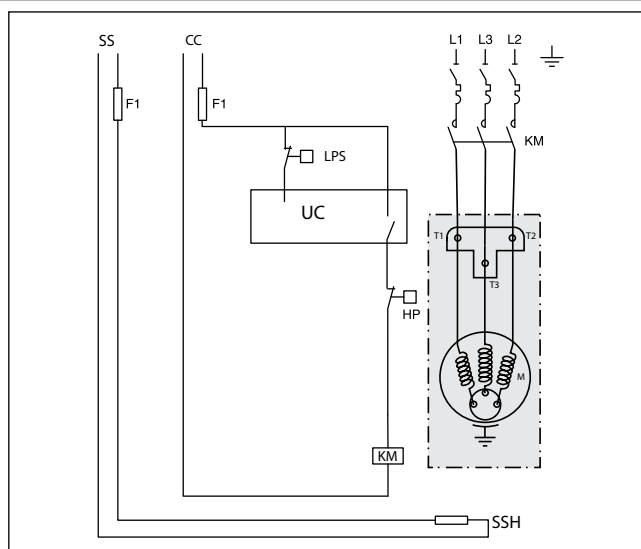
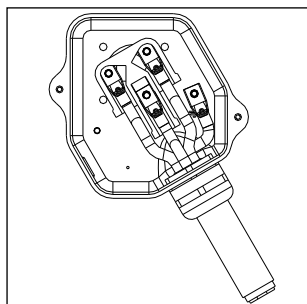
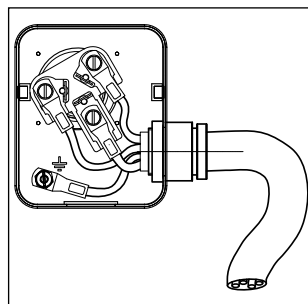
4 - Dettagli sulla connessione elettrica

DSH / SH / WSH 090 - 105 - 120 - 140 * - 161* - 184*
SM 084 - 090 - 100 - 110 - 112 - 120 - 124 - 147 - 148 - 161
SZ 084 - 090 - 100 - 110 - 120 - 147 - 148 - 161

I compressori Danfoss sono protetti da surriscaldamento e sovraccarico grazie a un protettore interno di sicurezza del motore. Tuttavia, si raccomanda un protettore di sovraccarico esterno manuale con reset per la protezione dei circuiti elettrici da sovraccorrenti.

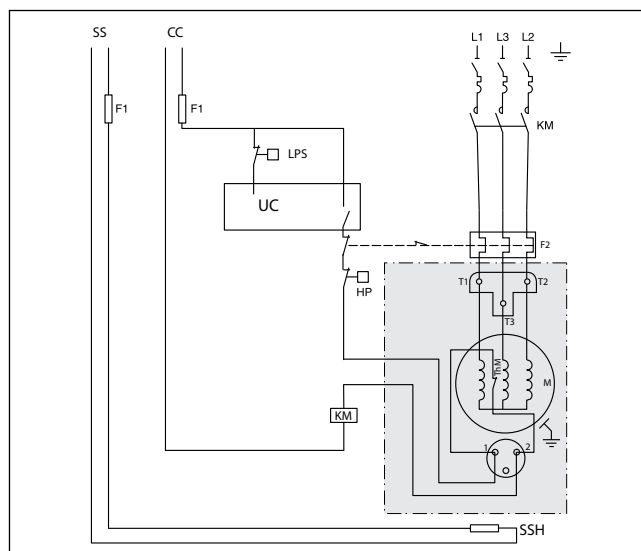
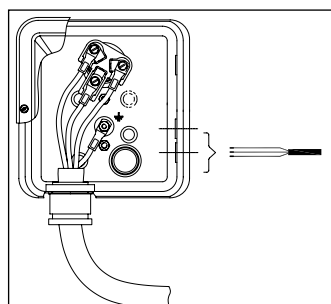
Tutti i modelli ad eccezione di
DSH/SH/WSH140-3 & 161-3 & 184

DSH / SH / WSH140-3 & 161-3
& 184



SM / SZ 115 - 125 - 160 - 175 - 185 versioni con termostato

I compressori Danfoss sono dotati di termostato bimetallico monopolare a una via che si trova nell'avvolgimento del motore. Dal momento che il termostato è un dispositivo di reset automatico, deve essere installato in un circuito di blocco di sicurezza a reset manuale per riavviare l'unità. Per protezione da sovraccorrente, deve essere usato un protettore esterno da sovraccarico a reset manuale.



SH 180 - 240 - 295 - 300 - 380

DSH 240 - 295 - 381

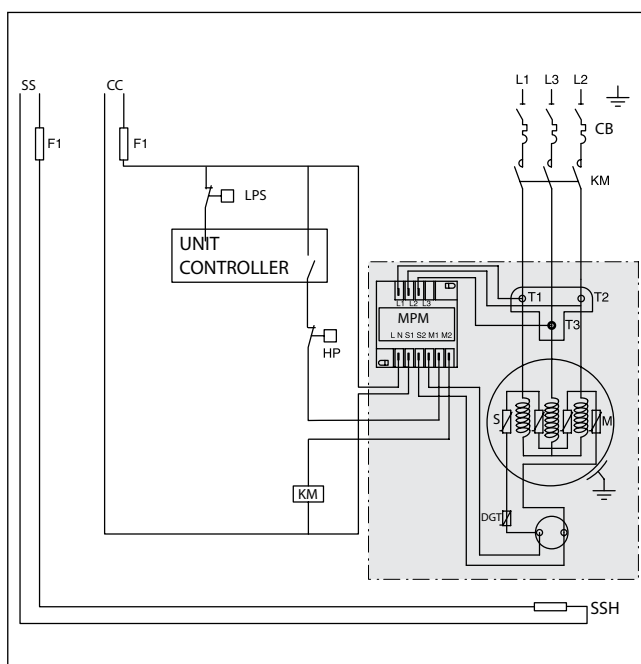
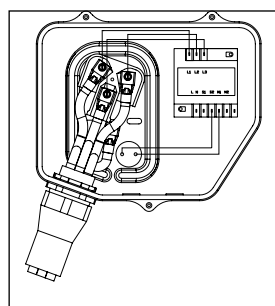
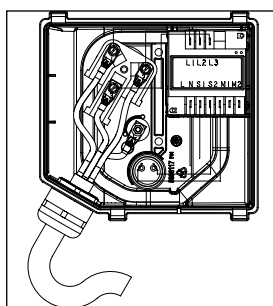
SY/ SZ 240 - 300 - 380

SM / SZ 185 versioni con modulo elettronico

Questi motori per compressori Danfoss sono protetti da un modulo esterno di protezione da perdita/inversione di fase, surriscaldamento ed assorbimento di alta corrente.

Tutti i modelli ad eccezione di
SH380-3

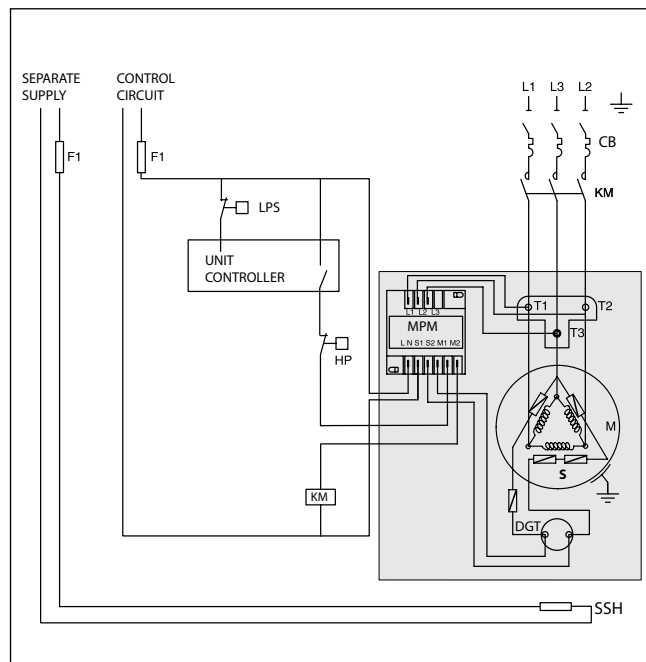
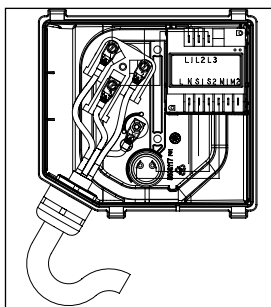
SH380-3



Istruzioni

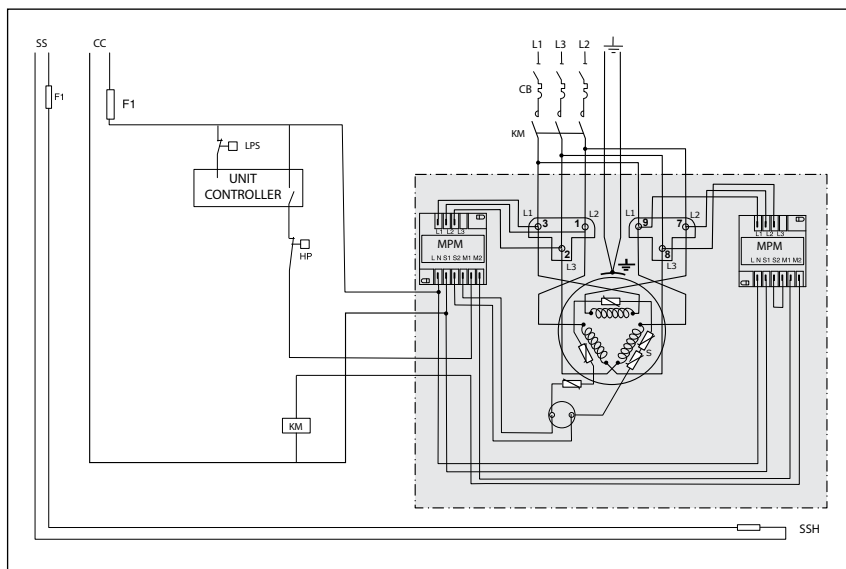
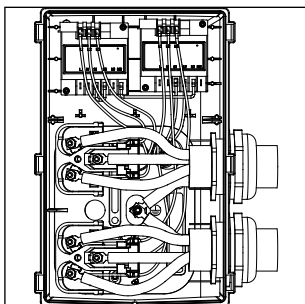
SH/DSH485, DSH600

Questi motori per compressori Danfoss sono protetti da un modulo esterno di protezione da perdita/inversione di fase, surriscaldamento ed assorbimento di alta corrente.



DSH485-3

Questi motori per compressori Danfoss sono protetti da due moduli esterni di protezione da perdita/inversione di fase, surriscaldamento ed assorbimento di alta corrente.



Legenda:

Fusibili F1
 Contattore del compressore..... KM
 Interruttore di sicurezza di alta pressione..... HP

Termistore sul gas di mandata (incorporato nei compressori serie: DSH240-600 e SH485) DGT
 Riscaldatore carter di superficie..... SSH
 Motore del compressore M

Modulo protezione motore.....MPM
 Catena termistore..... S
 Pressostato di sicurezza LPS
 Interruttore magnetotermico installato sul motore.CB

Istruzioni

5 – Movimentazione e conservazione

- Movimentare il compressore con cautela. Utilizzare le maniglie apposite nell'imballaggio. Servirsi del golfare di sollevamento del compressore e utilizzare apparecchiature sicure ed adeguate per il sollevamento.
- Conservare e trasportare il compressore in posizione eretta.
- Conservare il compressore a temperatura compresa tra i valori Ts min e Ts max per il lato di bassa pressione (LP) indicati in targa dati.
- Non esporre il compressore e l'imballaggio a pioggia o atmosfera corrosiva.

6 – Misure di sicurezza prima del montaggio

⚠ Non usare mai il compressore in atmosfera infiammabile.

- Controllare prima dell'installazione che il compressore non presenti danneggiamenti dovuti al trasporto, alla movimentazione o allo stoccaggio.
- La temperatura ambiente non deve superare il valore Ts max del lato di bassa pressione (LP) indicato in targa dati durante il ciclo di spegnimento.
- Montare il compressore su una superficie orizzontale piana con pendenza inferiore a 3°.
- Verificare che l'alimentazione corrisponda alle caratteristiche del motore del compressore (riportate sulla targhetta).
- Per l'installazione di DSH o SZ o SH o WSH, adottare le apparecchiature appositamente destinate ai refrigeranti HFC mai impiegate per i refrigeranti CFC o HCFC.
- Utilizzare tubi in rame per refrigerazione puliti e disidratati e materiale per la brasatura in lega di argento.
- Utilizzare componenti del sistema puliti e disidratati.
- La tubazione collegata al compressore deve essere flessibile in 3 dimensioni per smorzare le vibrazioni.

7 – Montaggio

- Il compressore deve essere installato su telai come indicato nella "product guideline", dove vengono indicate per esempio le coppie di serraggio e la tipologia degli antivibranti.
- Rilasciare lentamente la carica di mantenimento di azoto dalla valvola Schrader.
- Rimuovere le guarnizioni prima della brasatura dei raccordi rotolock.
- Utilizzare nuove guarnizioni per il montaggio.
- Collegare prima possibile il compressore al sistema per evitare contaminazione dell'olio con l'umidità ambiente.
- Evitare l'ingresso di materiale nel sistema mentre si tagliano i tubi. Non praticare mai fori dove non è possibile eliminare le bave.
- Eseguire la brasatura con estrema cautela, impiegando la tecnica più all'avanguardia e sfiatare la tubazione con flusso di gas d'azoto.
- Collegare i dispositivi di sicurezza e di controllo necessari. Se per tale scopo si adopera la valvola Schrader, rimuovere la valvola interna.
- Non superare mai il massimo momento torcente per il serraggio delle connessioni rotolock:

Connessioni Rotolock	Momento torcente
1" rotolock	80 Nm
1 1/4" rotolock	90 Nm
1 3/4" rotolock	110 Nm
2 1/4" rotolock	130 Nm.

8 – Rilevamento di fughe

⚠ Non pressurizzare mai il circuito con ossigeno o aria secca. Ciò potrebbe causare incendio o esplosione.

- Da SM 084 a 185, SY 380, da SZ 084 a 185, SZ 380, da DSH / SH / WSH 090 a 184: Pressurizzare il sistema prima sul lato HP e poi sul lato LP. Non consentire mai che la pressione sul lato LP superi la pressione sul lato HP di oltre 5 bar. Tale differenza di pressioni può causare un danno interno nel compressore.
- Non utilizzare sostanza colorante per rilevare eventuali fughe.
- Eseguire una prova di tenuta su tutto il sistema.
- La pressione di prova non deve superare il valore di 1.1 x PS per i lati di bassa (LP) e 1 x PS per i lati di alta (HP) pressione indicato in targa dati.
- Se viene rilevata una perdita, sigillarla e ripetere la prova.

9 – Disidratazione sottovuoto

- Non utilizzare mai il compressore per evacuare il sistema.
- Collegare una pompa a vuoto al lato di alta e di bassa pressione.
- Evacuare il sistema ad una pressione di 500 µm Hg (0.67 mbar) assoluti.
- Non utilizzare un megahmetro né applicare potenza al compressore mentre è sotto vuoto, poiché ciò potrebbe causare danni interni.

10 – Collegamenti elettrici

- Spegner e isolare l'alimentazione principale. Vedere sul retro per i dettagli sul cablaggio.
- Tutti i componenti elettrici devono essere selezionati in base agli standard locali ed ai requisiti del compressore.
- Fare riferimento alle sezioni 4 per i dettagli relativi alle connessioni elettriche.
- Il compressore scroll Danfoss funziona correttamente solo in un senso di rotazione. Le fasi di linea L1, L2, L3 devono assolutamente essere collegate ai terminali T1, T2, T3 del compressore per evitare la rotazione in senso inverso.
- Per i collegamenti dell'alimentazione elettrica usare viti ø 4,8 mm (3/16") e terminali anulari da 1/4". Serrare con un momento torcente di 3 Nm.
- Il collegamento del termostato (se installato) è con attacco a baionetta 1/4" AMP-AWE.
- Il compressore va messo a terra usando l'apposita vite di terra da 5 mm.

11 – Carica del refrigerante

- Tenere spento il compressore.
- Versare il refrigerante in fase liquida nel condensatore o nel ricevitore di liquido. La carica deve essere più vicina possibile alla carica nominale del sistema, per evitare funzionamento a bassa pressione o surriscaldamento. Non consentire mai che la pressione sul lato LP superi la pressione sul lato HP di oltre 5 bar. Tale differenza di pressioni può causare un danno interno nel compressore.
- Mantenere, se possibile, la carica di refrigerante al di sotto dei limiti di carica indicati. Al di sopra di questo limite, proteggere il compressore dal ritorno di liquido con un ciclo di svuotamento o un accumulatore sulla linea di aspirazione.
- Non lasciare mai il cilindro di riempimento collegato al circuito.

Modelli di compressore	Limite di carica del refrigerante (kg)
SM/SZ 084, 090, 100	8.5
SM/SZ 110, 120	10
SM 112, 124, 147, SZ147	7.9
SM/SZ 115, 125	11
SM/SZ 148, 160, 161	12.5
SM/SZ 175, 185	13.5
SY/SZ 240	16
SY/SZ 380	20
DSH / SH / WSH 090	5.9
DSH / SH / WSH 105, 120, 140, 161, 184	7.9
SH 180, 240, 295, 300	13.5
DSH 240,295	15
SH 380	14.5
SH 485, DSH600, DSH 381,485	17

12 – Verifica prima della messa in servizio

⚠ Utilizzare dispositivi di sicurezza, come pressostati e valvole limitatrici conformi alle norme generali e locali e agli standard di sicurezza. Assicurarsi che siano operativi e adeguatamente regolati.

⚠ Controllare che le regolazioni dei pressostati di alta pressione e delle valvole limitatrici non superino la pressione massima di esercizio di alcun componente del sistema.

- Un pressostato di bassa pressione è consigliato per evitare il funzionamento sottovuoto. Impostazione minima per SM/SY/SZ: 0,5 bar g. Impostazione minima per DSH / SH / WSH: 1,7 bar g.
- Verificare che tutti i collegamenti elettrici siano correttamente allacciati e conformi alle norme locali.
- Quando è necessario un riscaldatore di carter, deve essere messo sotto tensione almeno 12 ore prima dell'avviamento iniziale o dopo uno spegnimento prolungato per riscaldatori del carter del tipo a cintura (6 ore per riscaldatori del tipo adesivo)

13 – Avviamento

⚠ Non mettere mai in funzione il compressore senza che il coperchio della scatola elettrica sia in posizione.

- Non avviare mai il compressore quando il refrigerante non è caricato.
- Tutte le valvole di servizio devono essere in posizione aperta.
- Bilanciare la pressione alta/bassa.
- Mettere il compressore sotto tensione. Normalmente si avvia subito. Se il compressore non si avvia, controllare la correttezza del cablaggio e della tensione sui morsetti.
- L'eventuale rotazione inversa può essere notata se si verificano i seguenti fenomeni; il compressore non aumenta la pressione, il funzionamento è anormalmente rumoroso ed il consumo elettrico è anormalmente basso. In tal caso, disattivare immediatamente il compressore e collegare adeguatamente le fasi ai rispettivi terminali. La maggior parte dei compressori scroll Danfoss sono protetti dalla rotazione inversa da una protezione antinversione interna o dal modulo protettivo elettronico esterno. Si fermano quindi automaticamente. Solo i modelli da SM 112, 124, 147, SZ147 non sono provvisti di protezione da rotazione inversa. Una rotazione inversa prolungata danneggia tali compressori.
- Se il protettore di sovraccarico interno scatta

Istruzioni

(SM/SZ 084, 090, 100, 110, 112, 120, 124, 147, 148, 161 e DSH / SH / WSH 090, 105, 120, 140, 161, 184), la temperatura deve tornare sotto 60°C per ripristinare il funzionamento. A seconda della temperatura ambiente, potrebbero essere necessarie diverse ore.

- Se la valvola limitatrice della pressione interna è aperta (SY/SZ 240, 300, 380 / SH 380, 485 / DSH 381, 485, DSH600), lo scarico del compressore si surriscalda ed il compressore si arresta su intervento del protettore del motore.

14 – Controllo del funzionamento del compressore

- Controllare l'assorbimento di corrente e della tensione.
- Controllare il riscaldamento nella linea di aspirazione per ridurre il rischio di colpo di liquido.
- Osservare il livello dell'olio della spia per circa 60 minuti per assicurare il corretto ritorno dell'olio al compressore.
- Rispettare i limiti operativi.
- Controllare che nessun tubo sia soggetto a vibrazioni anomale. I movimenti in eccesso di 1,5 mm richiedono misure correttive, quali staffe per tubi.
- Se necessario è possibile aggiungere altro refrigerante in fase liquida nel lato di bassa pressione, il più distante possibile dal compressore. Il compressore deve essere operativo durante questo processo.
- Non sovraccaricare il sistema.
- Mai rilasciare refrigerante nell'atmosfera.
- Per gli impianti reversibili, assicurarsi che la valvola 4 vie non si attivi (invertendo il verso del flusso di refrigerante) a compressore fermo, a seguito di una richiesta di calore o freddo dell'impianto.

- Prima di lasciare il sito di installazione, effettuare un'ispezione generale dell'installazione per verificare la pulizia, il rumore ed eventuali fughe.
- Registrare il tipo e la quantità di carica di refrigerante, insieme alle condizioni operative, come riferimento per le ispezioni future.

15 – Manutenzione

⚠ La pressione interna e la temperatura di superficie sono pericolose e possono causare lesioni permanenti. Gli operatori per la manutenzione e gli installatori devono possedere le competenze e gli strumenti appropriati. La temperatura della tubazione può superare i 100°C e può causare bruciate gravi.

⚠ Assicurarsi di eseguire ispezioni periodiche per garantire l'affidabilità del sistema come richiesto dalle norme locali.

Per evitare problemi al sistema causati dal compressore, si raccomandano i seguenti controlli di manutenzione periodici:

- Verificare che i dispositivi di sicurezza siano operativi e adeguatamente regolati.
- Assicurarsi che il sistema sia a tenuta.
- Controllare l'assorbimento di corrente del compressore.
- Confermare che il sistema funziona in modo coerente con i registri di manutenzione precedenti e le condizioni ambientali.
- Controllare che tutti i collegamenti elettrici sono ancora saldamente allacciati.
- Tenere il compressore pulito e verificare l'assenza di ruggine e ossidazione sul mantello del compressore, sui tubi e sui collegamenti elettrici.

16 - Garanzia

Comunicare sempre il numero di modello e il numero di serie insieme a qualsiasi reclamo relativo a questo prodotto.

La garanzia del prodotto può essere nulla nei casi seguenti:

- Assenza di targhetta.
- Modifiche esterne; in particolare perforazioni, saldature, rottura dei piedi e urti.
- Il compressore è aperto o viene restituito non sigillato.
- Presenza di ruggine, acqua o sostanza colorante per la rilevazione di fughe nel compressore.
- Utilizzo di un refrigerante o lubrificante non approvato da Danfoss.
- Qualsiasi deviazione dalle istruzioni consigliate relative a installazione, applicazione o manutenzione.
- Utilizzo in applicazioni mobili.
- Utilizzo in ambiente con atmosfera esplosiva.
- Non è stato comunicato nessun numero di modello o di serie insieme alla richiesta di intervento in garanzia.

Il compressore non è progettato per resistere a disastri naturali come: terremoti, tornado, alluvioni... o eventi estremi come: attacchi terroristici, bombardamenti militari o qualsiasi tipo di esplosione.

L'azienda Danfoss, produttrice dei suddetti compressori non può essere ritenuta responsabile per qualsiasi malfunzionamento dei propri prodotti per le cause indicate.

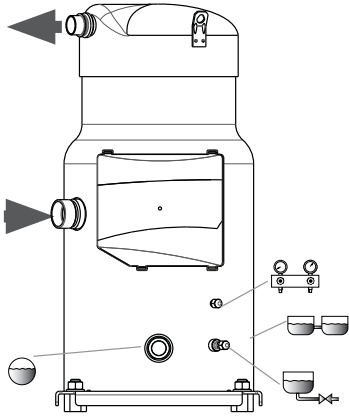
17 – Smaltimento



Danfoss raccomanda di riciclare i compressori e l'olio del compressore presso un'azienda competente in materia.

Instrucciones

Compresores scroll Danfoss DSH / SM / SY / SZ / SH / WSH



1 - Introducción

Estas instrucciones son aplicables a los compresores scroll Danfoss SM, SY, SZ, SH y WSH utilizados para sistemas de aire acondicionado. Ofrecen la información necesaria con respecto a la seguridad y el uso adecuado de este producto.

2- Placa



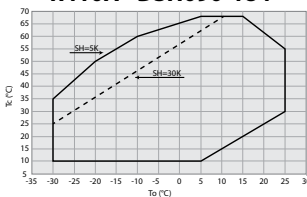
- A:** Modelo
- B:** Número de serie
- C:** Refrigerante
- D:** Tensión de alimentación, corriente de arranque y corriente máxima de funcionamiento
- E:** Presión de servicio de la carcasa
- F:** Carga de lubricante de fábrica



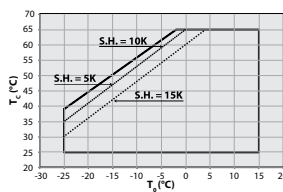
La instalación y el mantenimiento del compresor deben ser realizados únicamente por personal cualificado. Siga estas instrucciones y las prácticas de ingeniería de refrigeración adecuadas respecto a la instalación, puesta en marcha, mantenimiento y servicio técnico.

3 - Mapa de funcionamiento

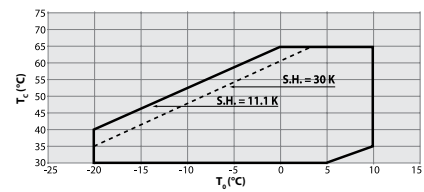
R410A - DSH090-184



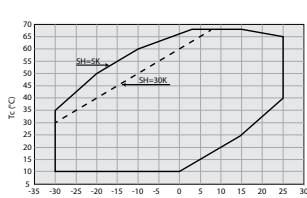
R410A - WSH



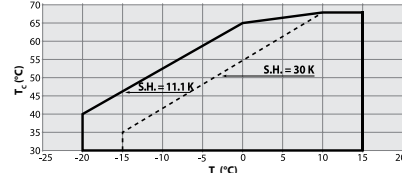
R404A & R507A - SZ084-185



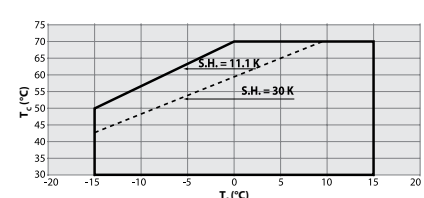
R410A - DSH240-485



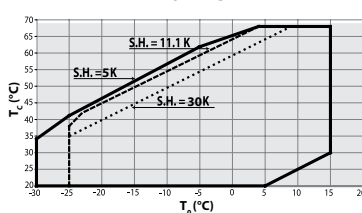
R407C Condiciones de punto de rocío - SZ084-185



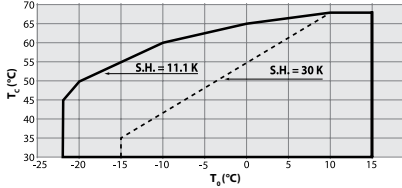
R134a - SZ084-185



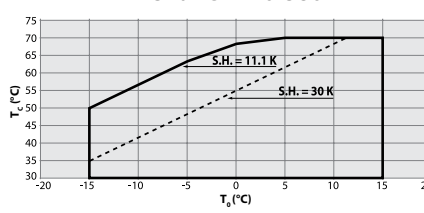
R410A - SH



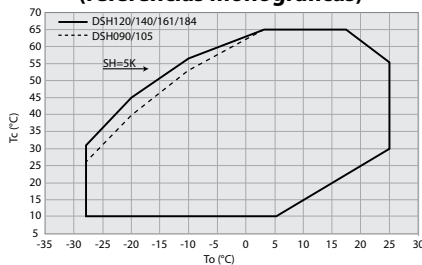
R407C Condiciones de punto de rocío - SZ240-380



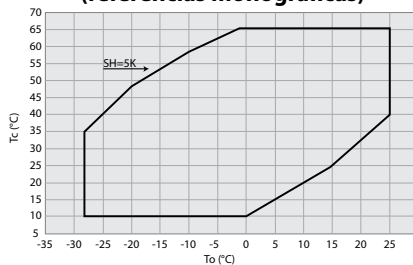
R134a - SY240-380



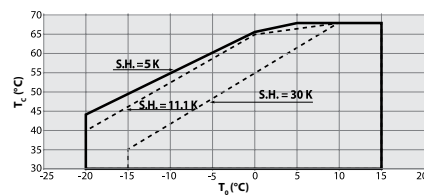
R452B / R454B DSH090-184 (referencias monográficas)



R452B / R454B - DSH240-485 (referencias monográficas)



R22 & R417A - SM - SY



Cuando los compresores SM se utilizan con R417A, el aceite mineral de fábrica 106P debe reemplazarse por aceite de poliéster 106SZ.

⚠ Este compresor solo debe utilizarse para el cometido para el que ha sido diseñado y dentro de su campo de aplicación (consulte «límites de funcionamiento»). Consulte las directrices de aplicación y las especificaciones técnicas disponibles en cc.danfoss.com.

⚠ En todas las circunstancias, deben cumplirse los requisitos de la norma EN378 (u otras normas locales de seguridad aplicables).

Este compresor se entrega con una carga de nitrógeno (presión entre 0,3 y 0,7 bar) y, por lo tanto, no puede conectarse tal cual; para obtener más información, consulte el apartado «montaje».

Este compresor se debe manipular con precaución y en posición vertical (desviación máxima de la posición vertical: 15°).

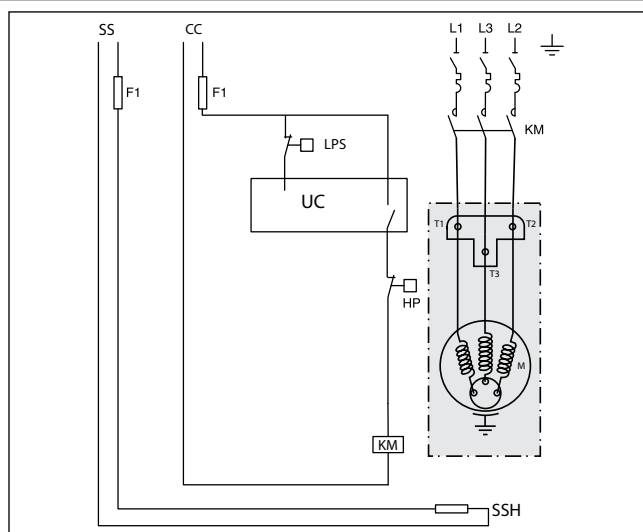
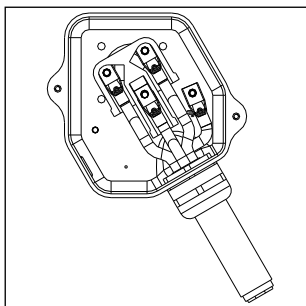
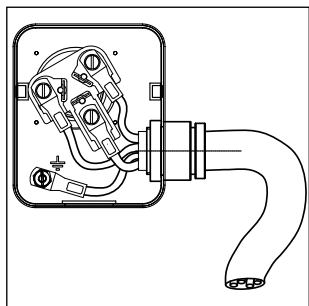
Instrucciones

4 - Conexiones eléctricas

DSH / SH / WSH 090 - 105 - 120 - 140 *- 161* - 184*
SM 084 - 090 - 100 - 110 - 112 - 120 - 124 - 147 - 148 - 161
SZ 084 - 090 - 100 - 110 - 120 - 147 - 148 - 161

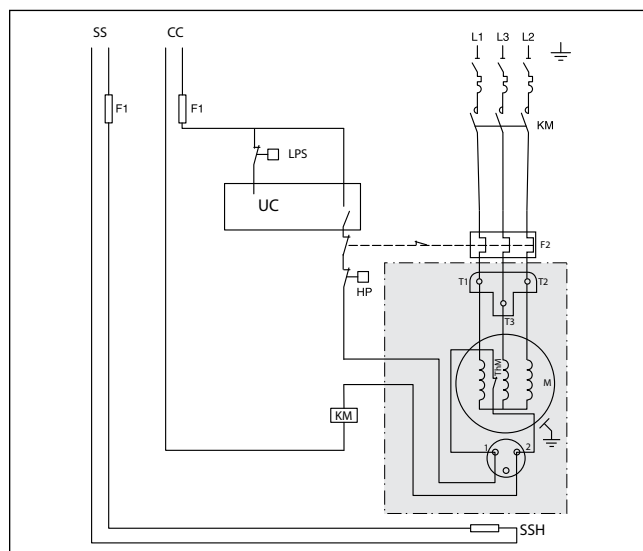
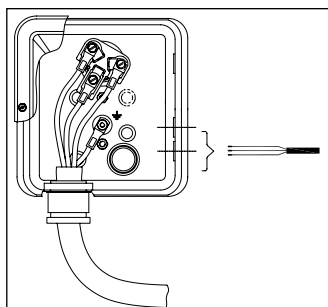
Estos compresores Danfoss están provistos de una protección de sobrecarga de motor contra el exceso de intensidad y temperatura generada por una sobrecarga causada por poca circulación de refrigerante, pérdida de fase ó rotación de motor incorrecta. El protector se coloca en el punto de la estrella del motor y desconectará las tres fases. El rearme es automático. La intensidad de corte es el valor MCC indicado en las especificaciones técnicas. Se recomienda utilizar también una protección adicional externa con rearme manual.

Todos los modelos, excepto DSH/ SH/WSH140-3 & 161-3 & 184 **DSH / SH / WSH140-3 & 161-3 & 184**



SM / SZ 115 - 125 - 160 - 175 - 185 versiones con termostato

Estos compresores Danfoss están equipados con un termostato bimetalico unipolar y unidireccional situado en los devanados del motor. Puesto que el termostato es de rearme automático, debe ir deberá conectarse a un circuito de seguridad de de bloqueo con rearme manual para volver a arrancar la unidad. Para protección por sobre intensidad y pérdidas de fases, debe utilizarse un protector de sobrecarga externo de rearme manual.



SH 180 - 240 - 295 - 300 - 380

DSH 240 - 295 - 381

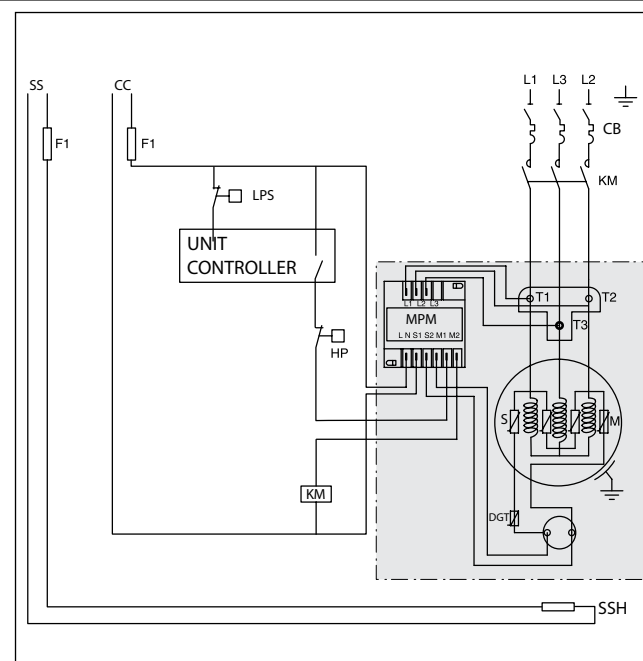
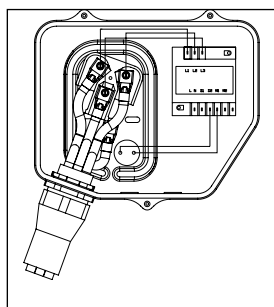
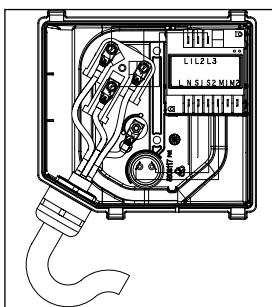
SY/ SZ 240 - 300 - 380

SM / SZ 185 versiones con termostato

Estos motores de compresores Danfoss se suministran con un módulo de protección de motor externo dentro de la caja terminal. Este dispositivo asegura una protección eficaz y segura contra el sobrecalentamiento y sobrecarga, así como la pérdida y secuencia de fases.

Todos los modelos, excepto SH380-3

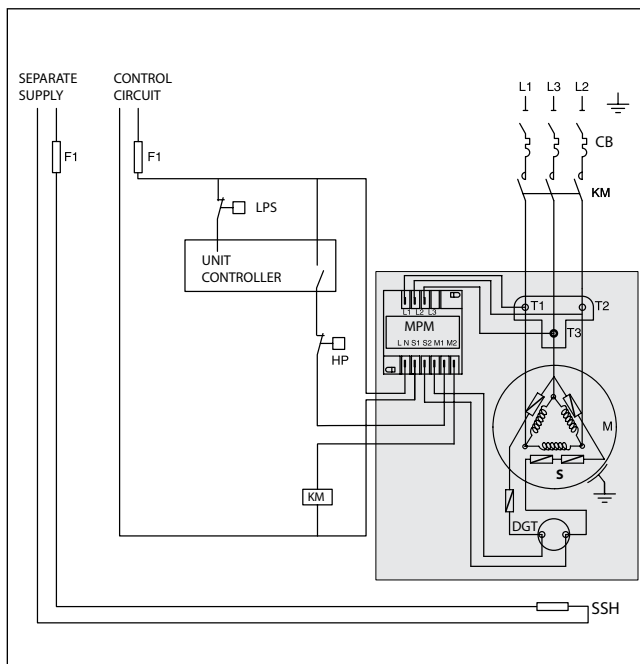
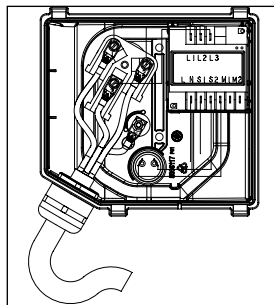
SH380-3



Instrucciones

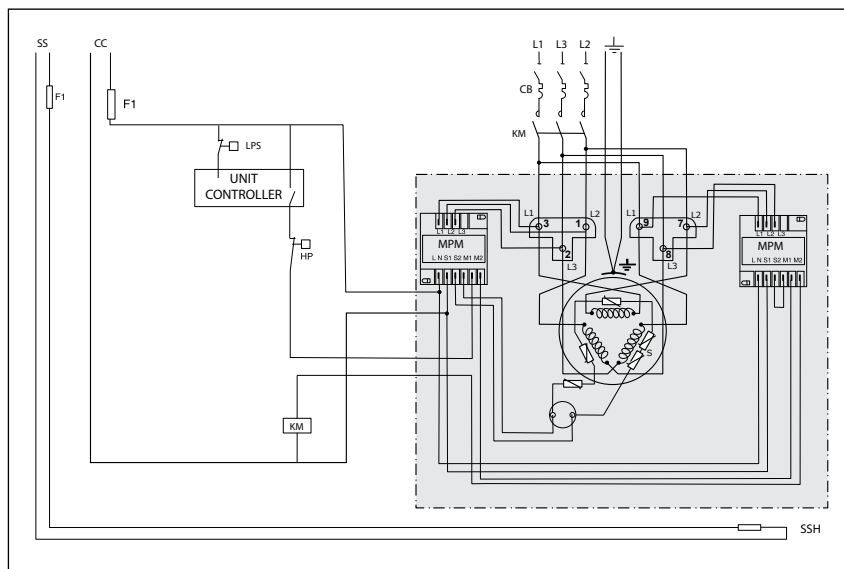
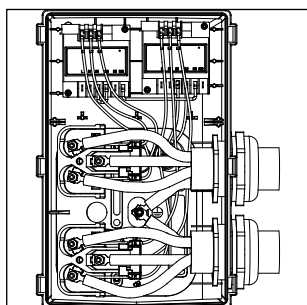
SH/DSH485, DSH600

Questi motori per compressori Danfoss sono protetti da un modulo esterno di protezione da perdita/inversione di fase, surriscaldamento ed assorbimento di alta corrente.



DSH485-3

Estos motores de los compresores scroll de Danfoss están protegidos por dos módulos externos que protegen contra la pérdida / inversión de fase, sobrecalentamiento y de alto consumo de corriente.



Leyenda:

Fusibles..... F1
 Contactor del compresor..... KM
 Interruptor de seguridad de alta presión HP

Termistor de gas de descarga (instalado en compresores DSH240-600 y SH485)..... DGT
 Resistencia de cárter de superficie..... SSH
 Motor del compresor M

Módulo de protección del motor MPM
 Cadena de termistores S
 Presostato de seguridad LPS
 Interruptor magnetotérmico (Disyuntor)..... CB

Instrucciones

5 – Manipulación y almacenamiento

- Manipule con cuidado el compresor. Utilice las asas del embalaje correspondientes. Utilice la argolla de elevación del compresor y un equipo de elevación adecuado y seguro.
- Almacene y transporte el compresor en posición vertical.
- Almacene el compresor a temperaturas entre los valores de Ts min y Ts máx en la lado LP se indican en la placa del compresor
- No exponga el compresor ni el embalaje a la lluvia o a atmósferas corrosivas.

6 – Medidas de seguridad antes del montaje

⚠ No utilice nunca el compresor en una atmósfera inflamable.

- Compruebe antes del montaje que el compresor no muestra signos evidentes de deterioro que pueden haber ocurrido durante el transporte, manipulación o almacenamiento inadecuado.
- La temperatura ambiente del compresor no puede superar los Ts máx en la lado LP se indican en la placa del compresor durante el ciclo de apagado.
- Monte el compresor sobre una superficie plana horizontal con una inclinación inferior a 3°.
- Compruebe que la alimentación se corresponde con las características del motor del compresor (consulte la placa de características).
- Al instalar el modelo DSH o SZ o el SH o el WSH, utilice un equipo especialmente diseñado para refrigerantes HFC que no se haya utilizado nunca para refrigerantes CFC o HCFC.
- Utilice material de soldadura limpio y deshidratado para aleaciones de plata y tubos de cobre para refrigeración.
- Utilice componentes del sistema limpios y deshidratados.
- Los conductos conectados al compresor deben ser flexibles en las tres dimensiones para amortiguar las vibraciones.

7 – Montaje

- El compresor debe montarse sobre carriles o bastidor según las recomendaciones de Danfoss descritas en la guía de producto (tipo de separador, pares de apriete).
- Suelte lentamente la carga de nitrógeno a través de la boquilla schrader.
- Al soldar los conectores Rotolock, retire las juntas.
- Utilice siempre juntas nuevas para el montaje.
- Conecte el compresor al sistema lo antes posible para evitar la contaminación del aceite con la humedad ambiental.
- Mientras corta los tubos, evite que entre cualquier tipo de material en el sistema. No perforo ningún orificio allí donde no pueda quitar las rebabas.
- Suelde con mucho cuidado, utilizando técnicas modernas, y purgue los conductos haciendo circular gas nitrógeno.
- Conecte los dispositivos de seguridad y control obligatorios. Cuando utilice la boquilla schrader a este efecto, retire la válvula interna.
- No supere el par de apriete máximo en las conexiones Rotolock:

Conexiones Rotolock	Par de apriete
Rotolock de 1 in	80 Nm
Rotolock de 1 1/4 in	90 Nm
Rotolock de 1 3/4 in	110 Nm
Rotolock de 2 1/4 in	130 Nm

8 – Detección de fugas

⚠ No presurice nunca el circuito con oxígeno o aire seco. Esto podría provocar un incendio o una explosión.

- De SM 084 a 185, SY 380, de SZ 084 a 185, SZ 380, de DSH / SH / WSH090 a 184: presurice el sistema en el lado de alta presión primero y luego en el lado de baja presión. Nunca deje que el lado de baja presión supere el lado de alta presión en más de 5 bar. Tal diferencia de presión puede causar daños internos en el compresor.
- No utilice tintes para la detección de fugas.
- Lleve a cabo una prueba de detección de fugas en todo el sistema.
- La presión de prueba no debe superar el valor de 1.1 x Ps en el lado LP y el valor de 1 x Ps en el HP se indican en la placa del compresor
- Cuando detecte una fuga, repárela y repita el proceso de detección de fugas.

9 – Deshidratación mediante vacío

- Nunca utilice el compresor para vaciar el sistema.
- Conecte una bomba de vacío a los lados de baja y alta presión.
- Vacíe el sistema a una presión absoluta de 500 µm Hg (0,67 mbar).
- No utilice un megóhmetro ni aplique alimentación al compresor mientras se encuentre en vacío, ya que esto podría provocar daños internos.

10 – Conexiones eléctricas

- Apague el sistema y corte la alimentación de red. Consulte el folleto para obtener más información sobre el cableado.
- Todos los componentes eléctricos deben seleccionarse según las normas locales y los requisitos del compresor.
- Consultar la sección 4 para ver los detalles de conexiones eléctricas.
- El compresor scroll Danfoss solo funciona correctamente en una dirección de rotación. Las fases de línea L1, L2 y L3 deben estar completamente conectadas a los terminales del compresor T1, T2 y T3 para evitar la rotación inversa.
- Utilice tornillos de \varnothing 4,8 mm (3/16 in) y terminales de anillo de 1/4 in para la conexión de la alimentación. Fíjelos con un par de 3 Nm.
- La conexión del termostato -si la hay- es un conector de horquilla de 1/4 in AMP-AWE.
- El compresor debe estar conectado a tierra con el tornillo de terminal a tierra de 5 mm.

11 – Llenado del sistema

- Mantenga el compresor apagado.
- llene el condensador o el depósito de líquido con refrigerante en fase líquida. La carga debe ser lo más aproximada posible a la carga nominal del sistema para evitar el funcionamiento a baja presión y un recalentamiento excesivo. Nunca deje que el lado de baja presión supere el lado de alta presión en más de 5 bar. Tal diferencia de presión puede causar daños internos en el compresor.
- Mantenga la carga de refrigerante por debajo de los límites de carga indicados, siempre que sea posible. Por encima de este límite, proteja el compresor contra el retorno del líquido con paradas por vacío o un acumulador de aspiración.
- No deje la botella de carga conectada al circuito.

Modelos de compresor	Límite de carga de refrigerante (kg)
SM/SZ 084, 090, 100	8.5
SM/SZ 110, 120	10
SM 112, 124, 147, SZ147	7.9
SM/SZ 115, 125	11
SM/SZ 148, 160, 161	12.5
SM/SZ 175, 185	13.5
SY/SZ 240	16
SY/SZ 380	20
DSH / SH / WSH 090	5.9
DSH / SH / WSH 105, 120, 140, 161, 184	7.9
SH 180, 240, 295, 300	13.5
DSH 240,295	15
SH 380	14.5
SH 485, DSH600, DSH 381,485	17

12 – Verificación antes de la puesta en marcha

⚠ Utilice dispositivos de seguridad, como un presostato de seguridad y una válvula mecánica de descompresión que cumplan las normas generales y locales aplicables, así como los estándares de seguridad. Asegúrese de que funcionan y de que están correctamente ajustados.

⚠ Compruebe que los ajustes de los presostatos de alta presión y de las válvulas de descompresión no superan la presión de servicio máxima de los componentes del sistema.

- Se recomienda el uso de un presostato de baja presión para evitar el funcionamiento en vacío. Configuración mínima para SM / SY / SZ: 0,5 bar g. Configuración mínima para DSH / SH / WSH: 1,7 bar g.
- Compruebe que todas las conexiones eléctricas están bien fijadas y que cumplen las normas locales.
- Cuando se necesite una resistencia de cárter, deberá activarse al menos 12 horas antes del arranque inicial y en un arranque tras una parada prolongada para calentadores de cárter de tipo cinturón (6 horas para calentadores con recipiente en la superficie).

13 – Arranque

⚠ Nunca arrancar el compresor sin colocar la tapa de la caja eléctrica

- Nunca arranque el compresor cuando no haya refrigerante cargado.
- Todas las válvulas de servicio deben estar en posición abierta.
- Equilibre la presión de los lados de baja y alta presión.
- Active el compresor. Debe arrancar de inmediato. Si el compresor no arranca, compruebe la conformidad del cableado y la tensión en los terminales.
- La rotación inversa ocasional puede detectarse comprobando los siguientes fenómenos: el compresor no genera presión, tiene un nivel de ruido demasiado elevado y un consumo de corriente demasiado bajo. En tal caso, apague el compresor inmediatamente y conecte la fase a sus correspondientes terminales. La mayoría de los compresores scroll Danfoss están protegidos contra la rotación inversa, ya sea mediante una protección frente a la rotación inversa interna, ya sea mediante un módulo de protección electrónico externo. Se apagarán automáticamente. Solo los modelos de SM 112, 124 y 147, SZ147 no tienen protección frente a la rotación inversa. Una rotación

Instrucciones

inversa dañará estos compresores.

- Si el protector interno de sobrecarga se activa (SM / SZ 084, 090, 100, 110, 112, 120, 124, 147, 148, 161 y DSH / SH / WSH 090, 105, 120, 140, 161, 184), se deberá dejar enfriar por debajo de 60°C antes de reiniciar la unidad. En función de la temperatura ambiente, esto podría requerir varias horas.
- Si se abre la válvula de descarga de presión interna (SY/SZ 240, 300, 380 / SH 380, 485 / DSH 381, 485, DSH600), el cárter del compresor se calentará y el protector del motor parará el compresor.

14 – Comprobaciones con el compresor en funcionamiento

- Compruebe la tensión y la intensidad de la corriente.
- Compruebe el recalentamiento de aspiración para reducir el riesgo de retornos de líquido.
- Observe el nivel de aceite en el visor durante 60 minutos para garantizar el retorno del aceite al compresor.
- Respete los límites de funcionamiento.
- Compruebe todos los tubos por si hubiese una vibración anormal. Los movimientos que superen 1,5 mm necesitarán medidas correctoras, como soportes de tubos.
- Cuando sea necesario, podrá añadirse refrigerante adicional en fase líquida en el lado de baja presión, lo más alejado posible del compresor. El compresor debe estar en funcionamiento durante este proceso.
- No sobrecargue el sistema.
- Nunca vierta refrigerante a la atmósfera.
- Para los sistemas reversibles, asegúrese de que la válvula de 4 vías no cambia de ciclo cuando el compresor está parado, por demanda de calefacción o refrigeración (parada por termostato).
- Antes de salir del lugar de instalación, lleve

a cabo una inspección general de dicha instalación en cuanto a limpieza, ruido y detección de fugas.

- Anote el tipo y la cantidad de carga de refrigerante, así como las condiciones de funcionamiento, como referencia para futuras inspecciones.

15 – Mantenimiento

⚠ La presión interna y la temperatura de la superficie son peligrosas y podrían provocar lesiones permanentes. Los operadores de mantenimiento y los instaladores deben contar con las herramientas y los conocimientos adecuados. La temperatura de los tubos puede superar los 100 °C y podría provocar quemaduras graves.

⚠ Asegúrese de que se realizan inspecciones de mantenimiento periódicas para garantizar la fiabilidad y el cumplimiento de las normas locales.

Para evitar problemas del compresor relacionados con el sistema, realice las siguientes tareas recomendadas de mantenimiento periódico:

- Compruebe que los dispositivos de seguridad están operativos y bien ajustados.
- Asegúrese de que el sistema no sufre ninguna fuga.
- Compruebe el nivel de corriente del compresor.
- Confirme que el sistema funciona de un modo coherente con los registros de mantenimiento previos y las condiciones ambientales.
- Compruebe que todas las conexiones eléctricas están bien fijadas.
- Mantenga limpio el compresor y compruebe la ausencia de óxido y herrumbre en las conexiones eléctricas, los tubos y la carcasa del compresor.

16 – Garantía

En cualquier reclamación que presente respecto a este producto, indique siempre el número de modelo y el número de serie.

La garantía del producto puede quedar anulada en los siguientes casos:

- Ausencia de la placa de identificación.
- Modificaciones externas; en concreto, perforación, soldadura, patas rotas y marcas de impactos.
- Compresor abierto o devuelto sin los elementos de sellado.
- Óxido, agua o tinte de detección de fugas en el interior del compresor.
- Uso de un refrigerante o lubricante no autorizado por Danfoss.
- Cualquier divergencia respecto a las instrucciones recomendadas relativas a la instalación, la aplicación o el mantenimiento.
- Uso en aplicaciones móviles.
- Uso en entornos con atmósferas potencialmente explosivas.
- No indicar el número de modelo o el número de serie en la reclamación de la garantía.

El compresor no está diseñado para soportar los desastres naturales como terremotos, huracanes, inundaciones... o eventos extremos tales como los incendios, los ataques terroristas, bombardeos militares o explosiones de ningún tipo.

Danfoss Commercial compresor no es responsable de cualquier funcionamiento incorrecto de sus productos ocasionado por tales eventos

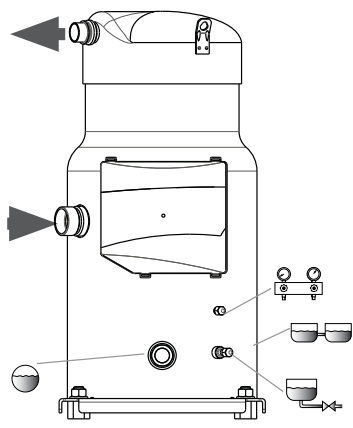
17 – Eliminación



Danfoss recomienda que los compresores y el aceite del compresor sean reciclados por una empresa cualificada en sus instalaciones.

Danfoss Scrollverdichter

DSH / SM / SY / SZ / SH / WSH



1 – Einleitung

Diese Instruktion gilt für die Danfoss-Scroll-Verdichter DSH, SM, SY, SZ, SH und WSH, die für den Einsatz in Klimaanlage vorgesehen sind. Die Anleitung enthält die für Sicherheit und ordnungsgemäße Handhabung des Produkts erforderlichen Informationen.

2- Verdichter Typenschild.



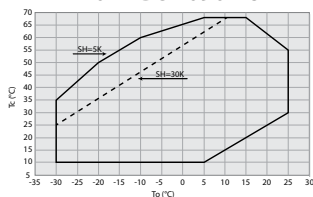
- A:** Modellnummer
- B:** Seriennummer
- C:** Kältemittel
- D:** Versorgungsspannung, Anlaufstrom und maximaler Betriebsstrom
- E:** Betriebsdruck Gehäuse
- F:** Werkseitig eingefülltes Schmiermittel



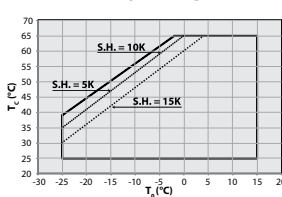
Installation und Wartung des Verdichters dürfen nur von qualifiziertem Fachpersonal durchgeführt werden. Diese Anleitung befolgen und bei Installation, Inbetriebnahme, Wartung und Service gemäß sachgerechter Kältetechnikpraxis vorgehen.

3 - Anwendungsbereich

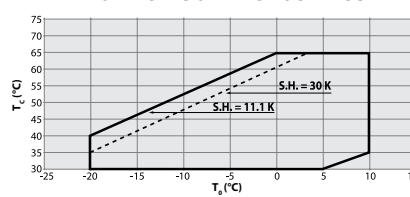
R410A - DSH090-184



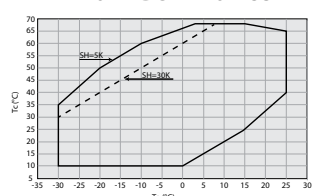
R410A - WSH



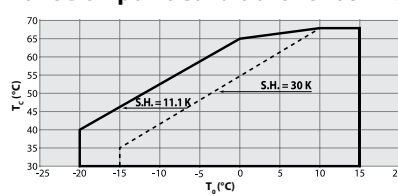
R404A & R507A - SZ084-185



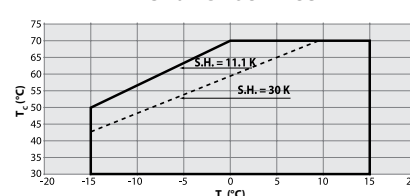
R410A - DSH240-485



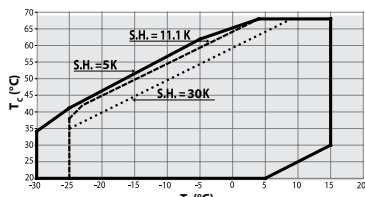
R407C Dew point Conditions - SZ084-185



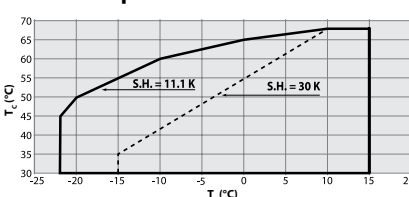
R134a - SZ084-185



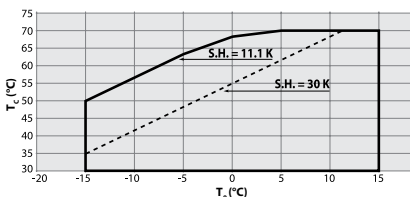
R410A - SH



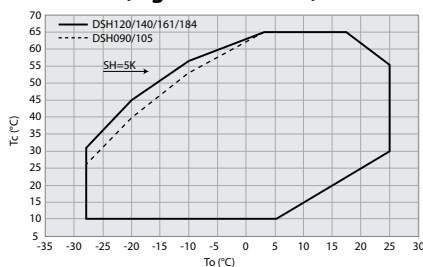
R407C Dew point Conditions - SZ240-380



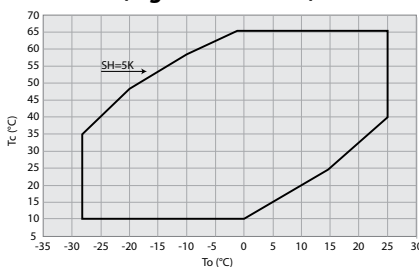
R134a - SY240-380



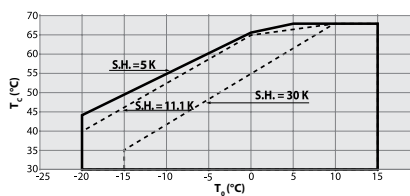
R452B / R454B DSH090-184 (Eigene Sollwerte)



R452B / R454B - DSH240-485 (Eigene Sollwerte)



R22 & R417A - SM - SY



Wenn SM-Verdichter in Verbindung mit R417A verwendet werden, muss das werkseitig eingefüllte Mineralöl 160P durch das Polyesteröl 160SZ ersetzt werden.

<p>⚠ Der Verdichter darf nur für den/die vorgesehenen Verwendungszweck(e) und innerhalb seines Anwendungsbereichs zum Einsatz kommen (siehe «Betriebsgrenzen»). Siehe Anwendungsrichtlinien und Datenblätter auf cc.danfoss.com</p>	<p>⚠ Unter allen Umständen müssen die Anforderungen der EN 378 (oder eine andere zutreffende nationale Sicherheitsnorm) erfüllt werden.</p>	<p>Der Verdichter wird mit unter Druck gesetztem Stickstoffgas (zwischen 0,3 und 0,7 bar) geliefert und kann daher nicht unmittelbar angeschlossen werden. Siehe Abschnitt «Zusammenbau» für weitere Angaben.</p>	<p>Der Verdichter darf nur vorsichtig in vertikaler Position gehandhabt werden (maximale Neigung von der Vertikalen: 15°)</p>
---	---	---	---

Instruktion

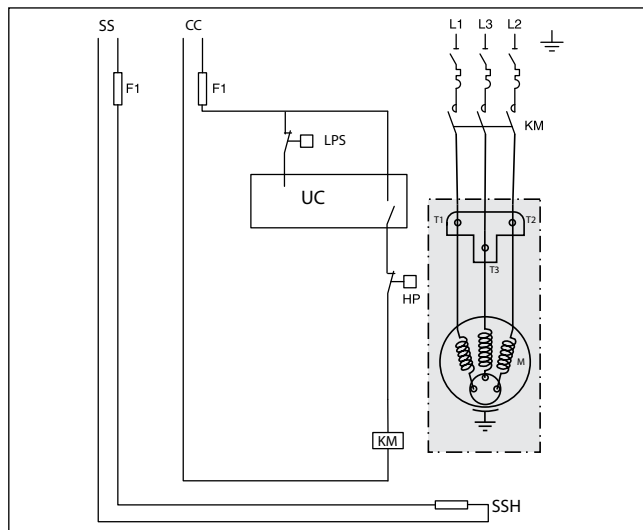
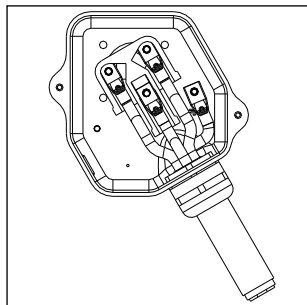
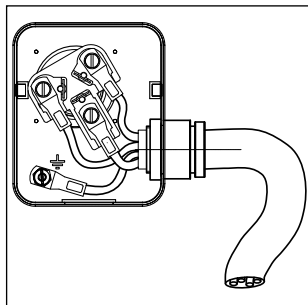
4 - Elektrischer Anschluß

DSH / SH / WSH 090 - 105 - 120 - 140 * - 161* - 184*
SM 084 - 090 - 100 - 110 - 112 - 120 - 124 - 147 - 148 - 161
SZ 084 - 090 - 100 - 110 - 120 - 147 - 148 - 161

Diese Danfoss-Verdichter sind durch einen eingebauten Motorschutzschalter vor Übertemperatur und Überlast geschützt. Um den Kreislauf vor Überstrom zu schützen, wird jedoch ein externer Überlastschutz mit manueller Rückstellung empfohlen.

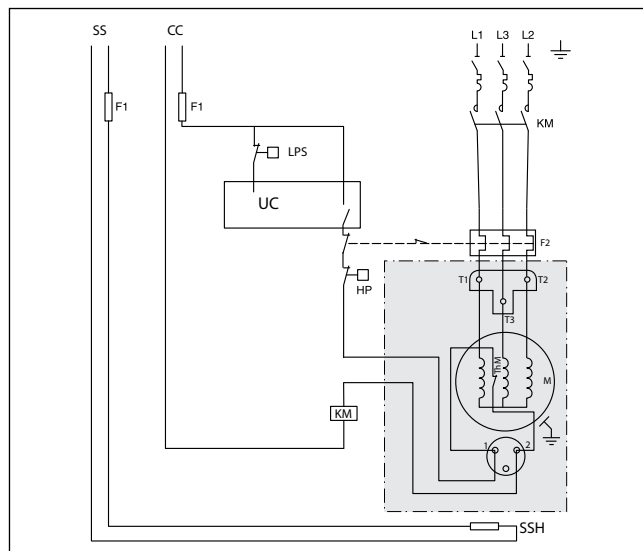
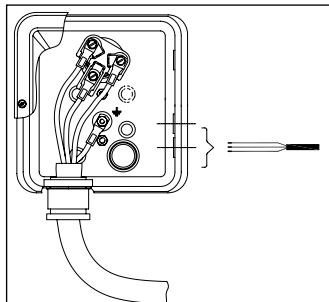
Alle Modelle außer DSH / SH/WSH140-3 & 161-3 & 184

DSH / SH / WSH140-3 & 161-3 & 184



SM / SZ 115 - 125 - 160 - 175 - 185 Ausführungen mit Thermostat

Diese Danfoss-Verdichter verfügen über ein bimetalliches SPST-Thermostat in den Motorwicklungen. Da es sich bei dem Thermostat um ein Gerät zum automatischen Rücksetzen handelt, muss es zum Neustarten des Geräts mit einem Sicherheitskreis mit manueller Rückstellung verschaltet werden. Für den Überstromschutz ist ein externer Überlastschutz mit manueller Rückstellung erforderlich.



SH 180 - 240 - 295 - 300 - 380

DSH 240 - 295 - 381

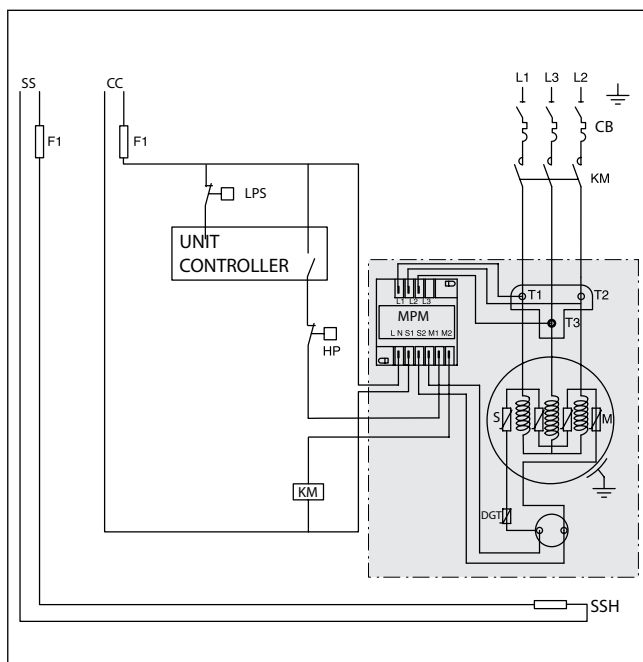
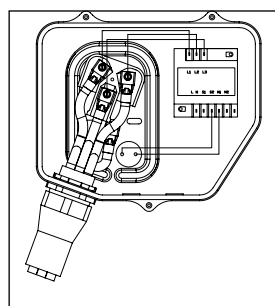
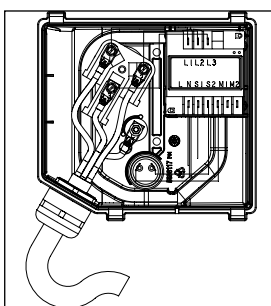
SY / SZ 240 - 300 - 380

SM / SZ 185 Ausführungen mit Elektronikmodul

Diese Danfoss-Verdichtermotoren sind durch ein externes Motorschutzmodul vor Phasenausfall, falscher Phasenfolge, Überhitzung und zu hoher Stromaufnahme geschützt.

Alle Modelle außer SH380-3

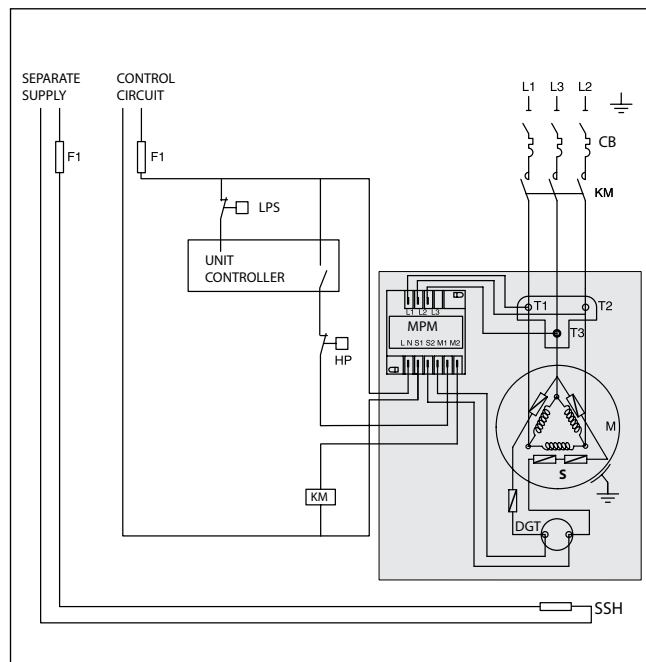
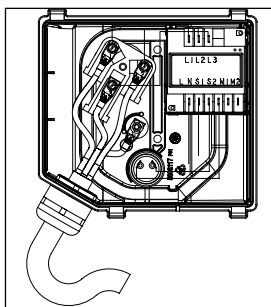
SH380-3



Instruktion

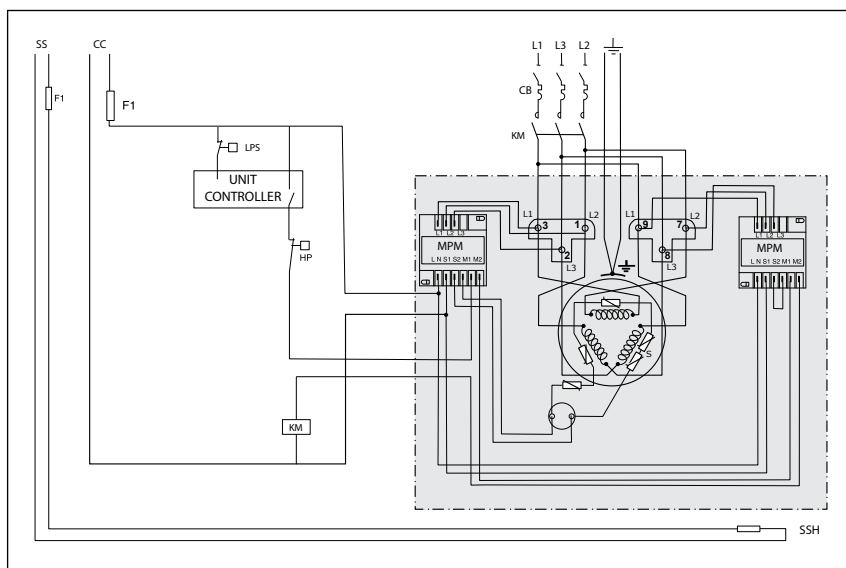
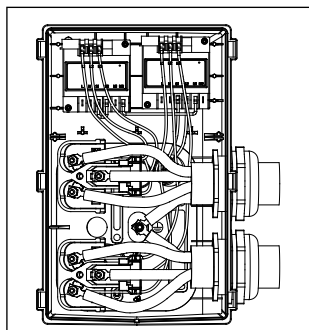
SH/DSH485, DSH600

Questi motori per compressori Danfoss sono protetti da un modulo esterno di protezione da perdita/inversione di fase, surriscaldamento ed assorbimento di alta corrente.



DSH485-3

Die Danfoss Verdichtermotoren sind durch zwei externe Module geschützt; vor Phasenausfall, Phasenfolgeüberwachung, Motorüberhitzung und zu hohe Stromaufnahme.



Legende:

Sicherungen F1
 Verdichterschütz KM
 Hochdruck-Sicherheitsschalter HP

Heißgas Thermistoren (eingebettet bei den Verdichtern DSH240-600 und SH485) DGT
 Kurbelwellenheizung SSH
 Verdichtermotor M

Motorschutzmodul MPM
 Thermistorkette S
 Sicherheitsdruckschalter LPS
 Thermomagnetischer Motorschutzschalter CB

Instruktion

5 – Handhabung und Lagerung

- Bei der Handhabung des Verdichters Vorsicht walten lassen. Dies speziellen Verpackungsgriffe nutzen. Den Verdichter mit Hilfe der Hakenösen unter Verwendung von geeignetem und sicherem Hebezeug anheben.
- Den Verdichter in einer aufrechten Position transportieren und lagern.
- Lagern Sie den Verdichter bei dem auf dem Verdichter Typenschild angegebenen minimal- und maximal zulässigen Betriebstemperaturen der Niederdruckseite.
- Den Verdichter und die Verpackung nicht Regen oder korrosiver Atmosphäre aussetzen.

6 – Sicherheitsmaßnahmen vor dem Zusammenbau

⚠ Den Verdichter nicht in einer entflammaren Atmosphäre verwenden.

- Überprüfen Sie vor der Montage, dass der Verdichter keinerlei Anzeichen von Schäden / Verschleiß aufweist, die aufgrund unsachgemäßen Umgangs während des Transportweges, der Handhabung oder während der Lagerung hervorgerufen sein können.
- Die Umgebungstemperaturen am Verdichter dürfen, bei Verdichterstillstand, nicht die auf dem Verdichter Typenschild angegebene max. Betriebstemperatur für die Niederdruckseite übersteigen.
- Den Verdichter auf einer horizontalen, ebenen Fläche (Neigung unter 3°) montieren.
- Sicherstellen, dass die Stromversorgung den Motorwerten des Verdichters entspricht (siehe Typenschild).
- Bei der Installation der Verdichter DSH oder SZ oder SH oder WSH nur speziell für H-FKW-Kältemittel vorgesehene Füllausrüstung verwenden, die zu keinem Zeitpunkt für FCKW- oder H-FCKW-Kältemittel verwendet wurden.
- Saubere und trockene, für Kälteanlagen geeignete Kupferrohre sowie silberlegiertes Hartlötmaterial verwenden.
- Saubere und trockene Systemkomponenten verwenden.
- Die Verrohrung des Verdichters muss nach allen Seiten hin Spiel haben, um Vibrationen abdämpfen zu können.

7 – Zusammenbau

- Der Verdichter muss mit den vorgesehenen Distanzhülsen auf ein Schienenprofil oder auf eine geeignete Unterkonstruktion fest angebracht werden. Die genaue Beschreibung dazu sowie das benötigte Anzugsdrehmoment zur Befestigung, sind den Danfoss Anwendungsrichtlinien zu entnehmen.
- Die Stickstofffüllung langsam durch das Schraderventil ablassen.
- Zum Hartlöten der Rotolock-Anschlüsse die Dichtungen entfernen.
- Beim Zusammenbau immer neue Dichtungen verwenden.
- Den Verdichter möglichst bald an die Anlage anschließen, um eine Verunreinigung des Öls durch Feuchtigkeit aus der Umgebung zu vermeiden.
- Darauf achten, dass beim Schneiden in die Verrohrung keine Fremdkörper ins System gelangen. Keine Löcher an Stellen bohren, an denen keine Entgratung möglich ist.
- Beim Hartlöten größte Vorsicht walten lassen, nur moderne Verfahren anwenden und die Verrohrung

mit einem Stickstoffgasstrom durchströmen.

- Die erforderlichen Sicherheits- und Überwachungseinrichtungen anschließen. Bei Verwendung des Schraderventilanschlusses den internen Ventileinsatz entfernen.
- Das maximale Anzugsmoment für Rotolock-Anschlüsse nicht überschreiten:

Rotolock-Anschlüsse	Anzugsmoment
1" Rotolock	80 Nm
1 1/4" Rotolock	90 Nm
1 3/4" Rotolock	110 Nm
2 1/4" Rotolock	130 Nm

8 – Feststellen von Leckagen

⚠ Den Kältemittelkreislauf nie mit Sauerstoff oder trockener Luft unter Druck setzen. Dies kann einen Brand oder eine Explosion zur Folge haben.

- SM 084 - 185, SY 380, SZ 084 - 185, SZ 380, DSH / SH / WSH 090 - 184: Die Anlage zunächst auf der Hochdruck- und dann auf der Niederdruckseite unter Druck setzen. Der Druck auf der Niederdruckseite darf den Druck auf der Hochdruckseite um maximal 5 bar übersteigen. Eine höhere Druckdifferenz kann interne Verdichterschäden verursachen.
- Für den Lecktest keine Farbstoffe verwenden.
- Den Lecktest nur für die gesamte Anlage vornehmen.
- Der Betriebsdruck darf die auf dem Verdichter Typenschild angegebenen Werte für die 1.1 x Ps Niederdruck- und 1 x Ps Hochdruckseite nicht übersteigen.
- Beim Auftreten einer Leckage die erforderliche Reparatur vornehmen und den Lecktest wiederholen.

9 – Vakuumtrocknung

- Den Verdichter nie zur Entlüftung der Anlage verwenden.
- Eine Vakuumpumpe sowohl an Niederdruck- als auch an Hochdruckseite anschließen.
- Die Anlage ist auf ein Vakuum von 500 µm Hg (0,67 mbar) absolut zu senken.
- Steht der Verdichter unter Vakuum, darf kein Messgerät verwendet und der Verdichter nicht unter Spannung gesetzt werden, da dies interne Schäden verursachen kann.

10 – Elektrische Anschlüsse

- Die Stromversorgung der Anlage ausschalten. Informationen zur Verdrahtung, siehe umseitig.
- Alle elektrischen Komponenten sind gemäß den örtlichen Standards und entsprechend den Verdichteranforderungen zu wählen.
- Wir verweisen auf den Abschnitt 4 für Details elektrischer Anschlüsse.
- Der Danfoss-Scrollverdichter funktioniert ordnungsgemäß nur in einer Drehrichtung. Die Netzphasen L1, L2, L3 müssen fest an die Verdichterklemmen T1, T2 und T3 angeschlossen werden, um eine falsche Drehrichtung zu vermeiden.
- Für den Netzanschluss Schrauben mit einem Durchmesser von 4,8 mm (3/16") und geschlossene Kabelschuhe (1/4") verwenden. Mit einem Moment von 3 Nm anziehen.
- Bei dem Thermostatanschluss (sofern vorhanden) handelt es sich um einen 1/4" AMP-AWE-Flachstecker.
- Der Verdichter ist mit der 5 mm-Erdungsschraube zu erden.

11 – Befüllen der Anlage

- Den Verdichter ausgeschaltet lassen.
- Das Kältemittel in der Flüssigphase in den Verflüssiger oder Flüssigkeitsabsammler füllen. Die Füllung muss möglichst genau der nominalen Systemfüllung entsprechen, um sowohl Niederdruckbetrieb als auch eine zu starke Überhitzung beim Start zu vermeiden. Der Druck auf der Niederdruckseite darf den Druck auf der Hochdruckseite um maximal 5 bar übersteigen. Eine höhere Druckdifferenz kann interne Verdichterschäden verursachen.
- Bei der Kältemittelfüllung wenn möglich die angegebenen Füllgrenzen einhalten. Oberhalb dieser Grenze einen Pump-Down-Schaltung oder einen Flüssigkeitsabscheider installieren, um den Rückfluss von Flüssigkeit in den Verdichter zu vermeiden.
- Den Füllzylinder nie am Kreis angeschlossen lassen.

Verdichter-Modelle	Max. zul. Itemittelfüllmenge [kg]
SM/SZ 084, 090, 100	8,5
SM/SZ 110, 120	10
SM 112, 124, 147, SZ147	7,9
SM/SZ 115, 125	11
SM/SZ 148, 160, 161	12,5
SM/SZ 175, 185	13,5
SY/SZ 240	16
SY/SZ 380	20
DSH / SH / WSH 090	5,9
DSH / SH / WSH 105, 120, 140, 161, 184	7,9
SH 180, 240, 295, 300	13,5
DSH 240, 295	15
SH 380	14,5
SH 485, DSH600, DSH 381, 485	17

12 – Überprüfung vor der Inbetriebnahme

⚠ Die Verwendung der Sicherheitseinrichtungen, wie Sicherheitsdruckschalter und mechanisches Druckentlastungsventil, muss sowohl den allgemeinen als auch national anwendbaren Vorschriften und Sicherheitsstandards entsprechen. Die Betriebsfähigkeit und korrekte Einstellung der Sicherheitseinrichtungen überprüfen.

⚠ Bei Einsatz von Hochdruckschaltern und mechanischen Druckentlastungsventilen darf deren Einstellung nicht den maximalen Betriebsüberdruck einer Anlagenkomponente übersteigen.

- Ein Niederdruckschalter wird empfohlen, um Betrieb unter Vakuum vorzubeugen. Mindesteinstellung für SM/SY/SZ: 0,5 bar g. Mindesteinstellung für DSH / SH / WSH: 1,7 bar g.
- Es ist dafür zu sorgen, dass alle elektrischen Anschlüsse ordnungsgemäß verdrahtet sind und den örtlichen Vorschriften entsprechen.
- Wenn eine Kurbelgehäuseheizung erforderlich ist, muss diese mindestens 12 Stunden vor der ersten Inbetriebnahme und/oder nach längeren Stillstandsperioden eingeschaltet werden für kontinuierliche Kurbelgehäuseheizungen (6 Stunden bei Oberflächenbodenheizungen).

13 – Inbetriebnahme

⚠ Betreiben Sie niemals den Verdichter ohne angebrachten Klemmkastendeckel

- Den Verdichter nicht ohne Kältemittelfüllung in Betrieb nehmen.

Instruktion

- Alle Serviceventile müssen geöffnet sein.
- Hochdruck- und Niederdruckseite ausgleichen.
- Den Verdichter unter Strom setzen. Dieser muss unverzüglich starten. Wenn der Verdichter nicht startet, Verdrahtung und Klemmenspannung überprüfen.
- Für eine mögliche Drehrichtungsumkehr gibt es folgende Anzeichen: Der Verdichter baut keinen Druck auf, der Geräuschpegel ist außergewöhnlich hoch oder die Stromaufnahme außergewöhnlich niedrig. In diesem Fall den Verdichter unverzüglich ausschalten und die Phasen an die richtigen Klemmen anschließen. Die meisten Danfoss Scroll-Verdichter sind entweder durch ein internes Überströmventil oder ein externes Elektronikschutzmodul vor einer falschen Drehrichtung geschützt und werden bei Verwendung des Schutzmoduls automatisch abgeschaltet. Lediglich die Verdichter SM 112, 124 und 147, SZ147 verfügen nicht über einen integrierten Schutz vor falscher Drehrichtung. Ein Betrieb mit falscher Drehrichtung von führt bei diesen Verdichtern zu Beschädigungen.
- Wenn der interne Überlastschutz auslöst (SM/SZ 084, 090, 100, 110,112, 120, 124, 147, 148, 161 and DSH / SH / WSH 090, 105, 120, 140, 161, 184), muss dieser zum Rücksetzen auf 60 °C abgekühlt werden. Je nach Umgebungstemperatur kann dieser Vorgang einige Stunden dauern.
- Wenn das interne Überstromventil geöffnet wird (SY/SZ 240, 300, 380 / SH 380, 485 / DSH 381, 485, DSH600), steigt die Temperatur im Kurbelgehäuseboden des Verdichters an, was zu einem Auslösen des Motorschutzschalters führt.

14 – Prüfung bei laufendem Verdichter

- Stromaufnahme und Spannung prüfen.
- Sauggas auf Überhitzung prüfen, um das Risiko eines Flüssigkeitsschlags zu reduzieren.
- Den Ölstand im Schauglas rund 60 Minuten lang beobachten, um einen ordnungsgemäßen Ölrückfluss zum Verdichter sicherzustellen.
- Die Einsatzgrenzen beachten.
- Alle Rohre auf abnormale Vibrationen

überprüfen. Bei Bewegungen von über 1,5 mm sind Korrekturmaßnahmen (z. B. Anbringen von Rohrbefestigungen) erforderlich.

- Gegebenenfalls Kältemittel in der Flüssigphase nachfüllen (auf der Niederdruckseite und so weit wie möglich vom Verdichter entfernt). Der Verdichter muss während dieses Vorgangs in Betrieb sein.
- Die Anlage nicht überfüllen.
- Kältemittel nie in die Atmosphäre freigeben.
- Bei umschaltbaren Systemen stellen Sie sicher, dass das 4-Wege Ventil nicht dann umschaltet, wenn der Verdichter stopped, während er sich im Heiz- oder Kühlbedarf befindet (Stop Thermostat).
- Vor dem Verlassen des Installationsstandorts eine allgemeine Inspektion der Anlage (Sauberkeit, ungewöhnliche Geräusche, Leckprüfung) durchführen.
- Kältemitteltyp und Füllmenge sowie Betriebsbedingungen für zukünftige Inspektionen dokumentieren.

15 – Wartung

⚠ Innendruck und Oberflächentemperatur sind gefährlich und können bleibende Personenschäden verursachen. Wartungstechniker und Installateure müssen über die erforderlichen Fähigkeiten und Werkzeuge verfügen. Die Rohrtemperatur kann 100 °C überschreiten und schwere Verbrennungen verursachen.

⚠ Sicherstellen, dass die in den örtlichen Vorschriften vorgeschriebenen periodischen Serviceinspektionen durchgeführt werden.

Um anlagenbedingten Verdichterproblemen vorzubeugen, werden folgende periodische Wartungsmaßnahmen empfohlen:

- Die Funktionsfähigkeit und korrekte Einstellung von Sicherheitseinrichtungen überprüfen.
- Die Anlage auf Dichtigkeit überprüfen.
- Die Stromaufnahme des Verdichters überprüfen.
- Prüfen, ob die Anlage gemäß vorherigen und

Umgebungsbedingungen arbeitet.

- Alle elektrischen Anschlüsse auf festen Sitz in den Klemmen kontrollieren.
- Den Verdichter sauber halten und sicherstellen, dass Verdichtergehäuse, Rohre und elektrische Anschlüsse rost- und oxidationsfrei sind.

16 - Gewährleistung

Bei allen dieses Produkt betreffenden Reklamationen immer die Modell- und Seriennummer angeben.

Die Produktgewährleistung kann in folgenden Fällen verfallen:

- Fehlendes Typenschild.
- Externe Veränderungen, insbesondere Bohren, Schweißen, gebrochene Verdichterbefestigungen und Stoßspuren.
- Verdichter wurde geöffnet oder unversiegelt zurückgesandt.
- Rost, Wasser oder Farbstoff aus Lecktest im Verdichterrinneren.
- Nutzung von Kältemittel oder Schmiermittel, das nicht von Danfoss zugelassen ist.
- Jede Abweichung von den empfohlenen Installations-, Anwendungs- und Wartungsanleitungen.
- Einsatz in mobilen Anwendungen.
- Einsatz in einer explosionsgefährdeten Umgebung.
- Fehlende Modell- oder Seriennummer bei Übermittlung der Gewährleistungsanforderung.

Der Verdichter ist nicht dafür konstruiert, um Naturkatastrophen wie Erdbeben, Wirbelstürme, Überschwemmungen ... oder extreme Ereignisse wie Brände, terroristische Anschläge, Militär Bombardements oder Explosionen jeglicher Art stand zu halten.

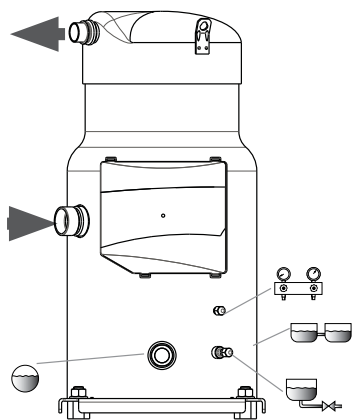
Danfoss Commercial Compressor haftet nicht für Fehlfunktionen seiner Produkte, in Folge eines solchen Ereignisses.

17 – Entsorgung



Danfoss rät, Verdichter und Verdichteröl von einem geeigneten Unternehmen an dessen Standort entsorgen zu lassen.

Compressores de Voluta Danfoss DSH / SM / SY / SZ / SH / WSH



1 - Introdução

Estas instruções dizem respeito aos compressores Scroll Danfoss DSH, SM, SY, SZ, SH, DSF e WSF, utilizados em sistemas de ar condicionado. Estas instruções fornecem as informações necessárias à utilização adequada e com segurança deste produto.

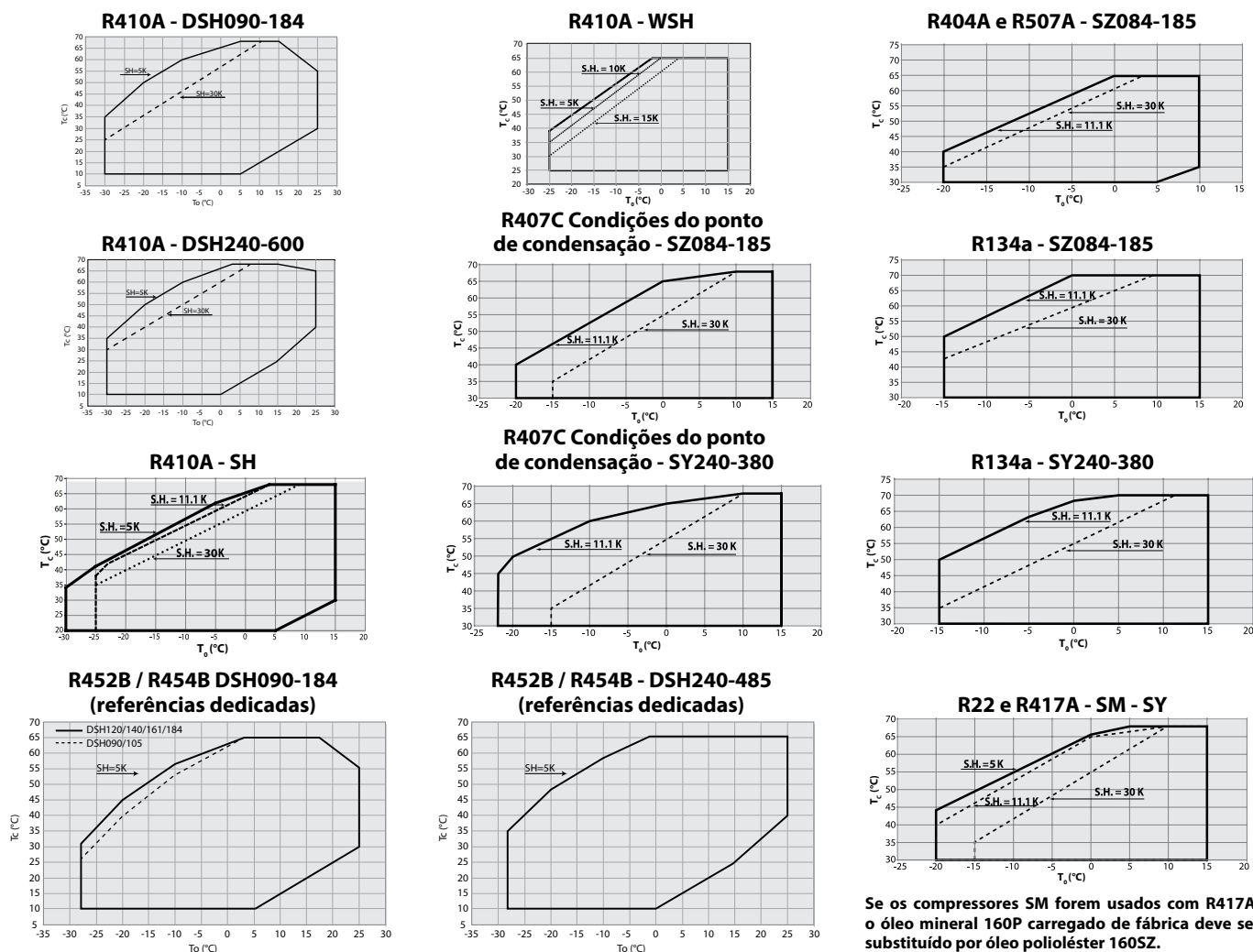
2 - Placa de características



- A: Modelo
- B: Número de série
- C: Refrigerante
- D: Tensão de alimentação, Corrente de partida e Corrente máxima de funcionamento
- E: Pressão de serviço do compartimento
- F: Carga de lubrificante de fábrica

! A instalação e manutenção do compressor deverão ser efetuadas somente por pessoal qualificado. Siga estas instruções assim como as boas práticas de engenharia de refrigeração no que diz respeito à instalação, colocação em funcionamento, assistência e manutenção.

3 - Mapa de operação



Se os compressores SM forem usados com R417A, o óleo mineral 160P carregado de fábrica deve ser substituído por óleo poliéster 160SZ.

<p>! O compressor só pode ser usado para os fins a que se destina e dentro do respectivo âmbito de aplicação (consulte os «limites de operação»). Consulte as orientações de Aplicação e as folhas de dados disponíveis em cc.danfoss.com</p>	<p>! Em qualquer circunstância, os requisitos EN378 (ou outros regulamentos locais de segurança aplicáveis) terão de ser cumpridos.</p>	<p>O compressor é entregue sob pressão de gás Nitrogénio (entre 0,3 e 0,7 bar) e, por essa razão, não pode ser ligado tal como está; consulte a secção «montagem» para mais detalhes.</p>	<p>O compressor deverá ser manuseado com precaução e na posição vertical (deslocamento máximo da posição vertical: 15°)</p>
--	--	---	---

Instructions

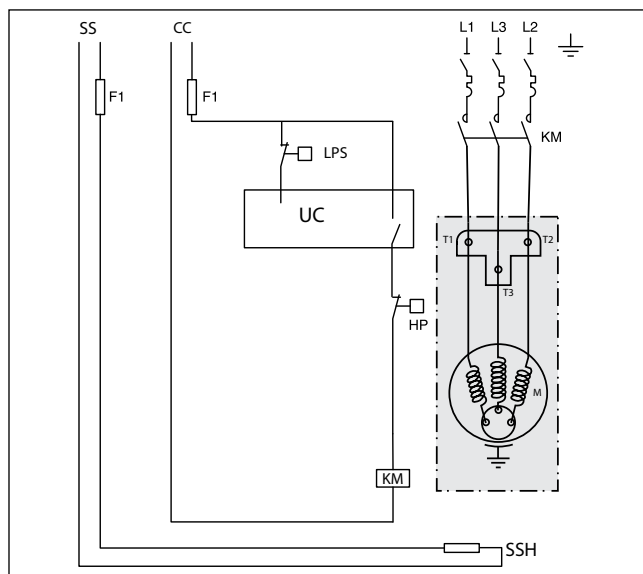
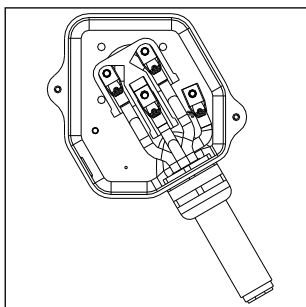
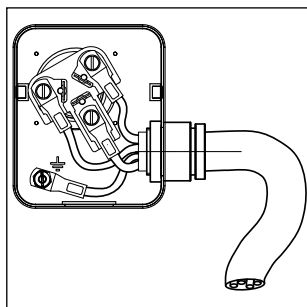
4 - Detalhes das ligações elétricas

DSH / SH / WSH 090 - 105 - 120 - 140* - 161* - 184*
SM 084 - 090 - 100 - 110 - 112 - 120 - 124 - 147 - 148 - 161
SZ 084 - 090 - 100 - 110 - 120 - 147 - 148 - 161

Estes compressores Scroll da Danfoss possuem um protetor de motor interno de segurança contra sobreaquecimento e sobrecarga. No entanto, recomenda-se um protetor externo de rearme manual contra sobrecargas, de forma a proteger o circuito contra alta corrente elétrica.

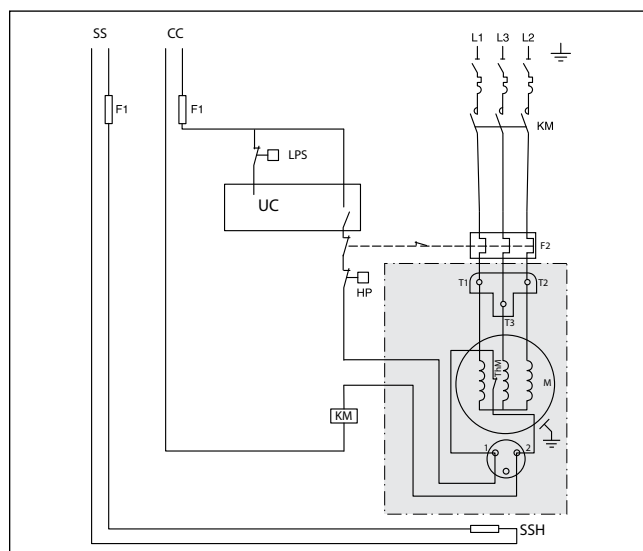
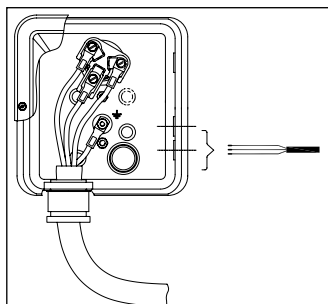
Todos os modelos exceto DSH / SH / WSH140-3 e 161-3 e 184

DSH / SH / WSH140-3 e 161-3 e 184



SM / SZ 115 - 125 - 160 - 175 - 185 versões com termostato

Estes compressores Scroll da Danfoss vêm equipados com um termostato bimetalico, que se encontra nos enrolamentos do motor. Como o termostato é um dispositivo de rearme automático, tem de estar ligado num circuito de segurança isolado com rearme manual para reiniciar a unidade. Deve ser utilizado um protetor externo de rearme manual contra sobrecargas para proteção de sobreintensidade.

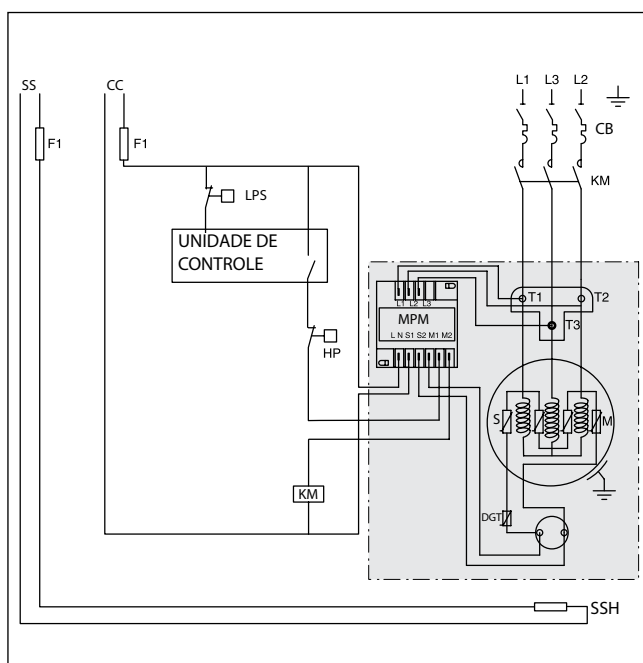
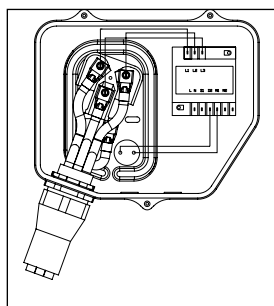
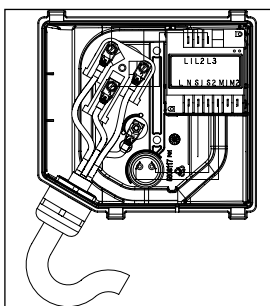


SH 180 - 240 - 295 - 300 - 380
DSH 240 - 295 - 381
SY / SZ 240 - 300 - 380
SM / SZ 185 versões com módulo eletrônico

Estes motores de compressores Scroll da Danfoss estão protegidos por um módulo externo, contra perda/inversão de fase, sobreaquecimento e alta corrente.

Todos os modelos exceto SH380-3

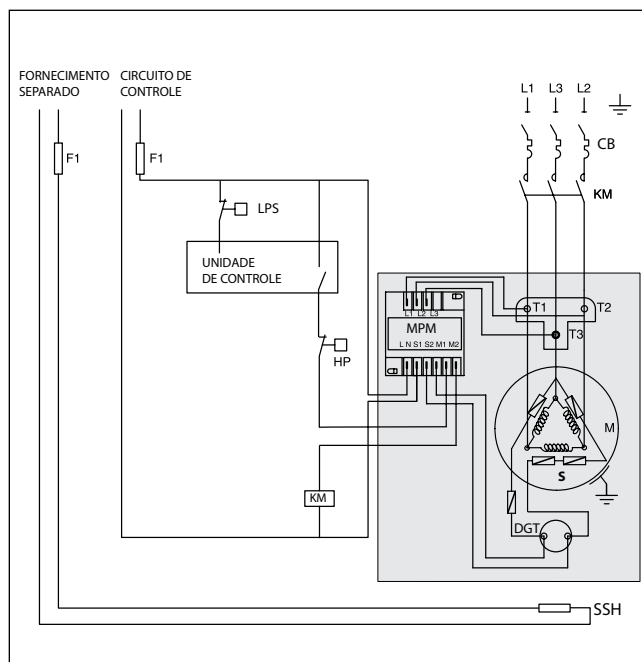
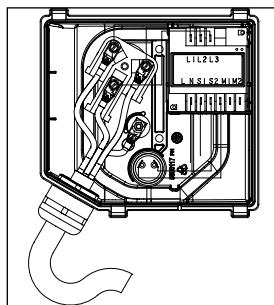
SH380-3



Instructions

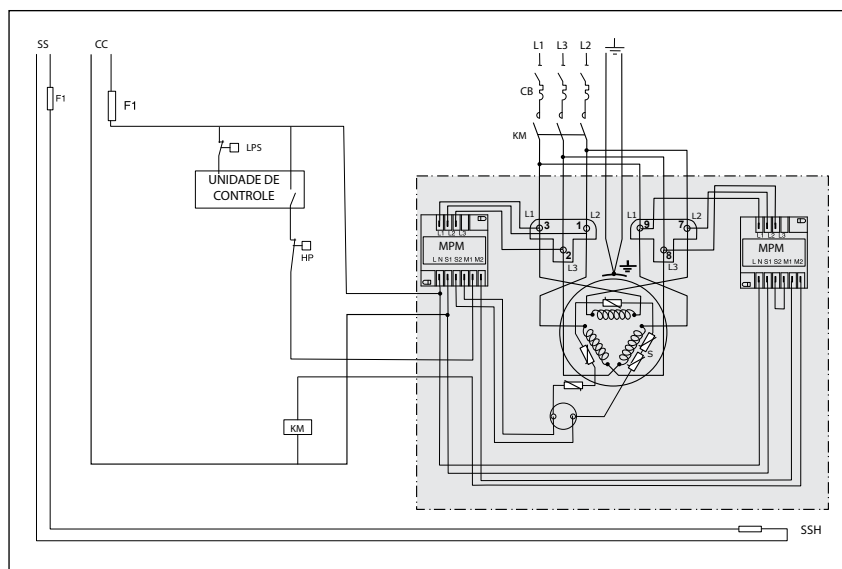
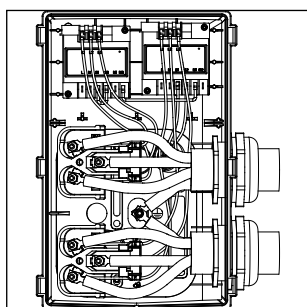
SH/DSH485, DSH600

Estes motores de compressores Scroll da Danfoss estão protegidos por um módulo externo, contra perda/inversão de fase, sobreaquecimento e alta corrente.



DSH485-3

Estes motores de compressores scroll da Danfoss estão protegidos por dois módulos externos, contra perda/inversão de fase, sobreaquecimento e corrente elétrica elevada.



Legenda:

Fusíveis.....F1
 Contador do compressor.....KM
 pressostato de alta pressãoAP
 Termistor de descarga de gás (integrado nos compressores DSH240-600 e SH485).....DGT

Aquecedor do cárter de superfície.....SSH
 Motor de compressor.....M
 Módulo de proteção de motorMPM
 ligação do termistor.....S

Pressostato de segurança.....LPS
 Disjuntor magnético térmico.....CB

Instructions

5 – Manuseio e armazenamento

- Manuseie o compressor com cuidado. Utilize as pegas da embalagem destinadas a esse fim. Utilize a orelha de elevação e equipamentos de elevação adequados e seguros.
- Armazene e transporte o compressor na posição vertical.
- Armazene o compressor entre os valores de Ts min e Ts máx para o lado LP indicado na placa de características do compressor.
- Não exponha o compressor e a embalagem à chuva ou a uma atmosfera corrosiva.

6 – Medidas de segurança antes da montagem

⚠ Nunca utilize o compressor em atmosferas inflamáveis.

- Verifique, antes da montagem, que o compressor não apresenta nenhum sinal óbvio de deterioração que possa ter ocorrido durante transporte, manuseio ou armazenamento inapropriados.
- A temperatura ambiente do compressor não pode exceder o valor Ts máx para o lado LP indicado na placa de características do compressor durante o ciclo de desligação.
- Monte o compressor numa superfície plana horizontal com menos de 3° de inclinação.
- Verifique se a fonte de alimentação corresponde às características do motor do compressor (ver placa de características).
- Quando estiver a instalar o DSH, SH, WSH ou SZ, utilize equipamento reservado especificamente para refrigerantes HFC que nunca tenham sido usados com refrigerantes CFC ou HCFC.
- Utilize tubos de cobre limpos e desidratados para refrigeração e materiais de soldadura de liga de prata.
- Utilize componentes de sistema limpas e desidratadas.
- A tubulação ligada ao compressor deverá ser flexível em 3 dimensões para amortecer as vibrações.

7 – Montagem

- O compressor deve ser montado em carris ou chassis de acordo com as recomendações da Danfoss descritas nas orientações do produto relacionado (tipo de espaçador, torques de aperto).
- Liberte lentamente a carga de nitrogênio através da válvula schrader.
- Remova as juntas quando estiver a soldar conectores rotolock.
- Utilize sempre juntas novas em cada montagem.
- Ligue o compressor ao sistema o mais rapidamente possível para evitar a contaminação do óleo com a humidade ambiente.
- Evite a entrada de material no sistema durante o corte dos tubos. Nunca faça furos em locais em que as rebarbas não possam ser removidas.
- Efetue a brasagem com extremo cuidado, utilizando a mais recente tecnologia e tubulação de ventilação em conjunto com o fluxo de gás nitrogênio.

- Ligue os dispositivos de segurança e de controle necessários. Quando a porta da válvula schrader for usada para esse fim, remova a válvula interna.
- Não exceda o torque de aperto máximo para conexões rotolock:

Conexões rotolock	Torque de aperto
1" rotolock	80 Nm
1 1/4" rotolock	90 Nm
1 3/4" rotolock	110 Nm
2 1/4" rotolock	145 Nm.

8 – Detecção de fugas

⚠ Nunca pressurize o circuito com oxigênio ou ar seco. Isso poderá provocar um incêndio ou explosão.

- SM 084 a 185, SY 380, SZ 084 a 185, SZ 380, DSH / SH / WSH 090 a 184: Pressurize o sistema em primeiro lugar pelo lado de Alta Pressão e apenas depois pelo de Baixa Pressão. Nunca deixe a pressão do lado de AP exceder a pressão do lado de BP com mais de 5 bar. Tal diferença de pressão pode causar danos internos no compressor.
- Não utilize tinta para deteção de fugas.
- Execute um ensaio de deteção de fugas na totalidade do sistema.
- A pressão de teste não deve exceder 1,1 x valor PS para o lado LP e valor PS para o lado HP indicado na placa de características do compressor.
- Se for encontrada uma fuga, repare a fuga e repita o teste de deteção de fugas.

9 – Desidratação a vácuo

- Nunca utilize o compressor para purgar o sistema.
- Ligue uma bomba de vácuo a ambos os lados de Baixa Pressão e de Alta Pressão. Veja os detalhes das ligações elétricas na página seguinte.
- Baixe o sistema a uma pressão absoluta de 500 µm Hg (0,67 mbar).
- Não utilize um megaohmímetro, nem aplique potência no compressor, enquanto este se encontrar sob vácuo, já que tal poderá provocar danos internos.

10 – Ligações elétricas

- Desligue e isole a fonte de energia principal. Veja os detalhes das ligações elétricas na página seguinte.
- Todos os componentes elétricos têm que ser selecionados de acordo com as normas locais e os requisitos do compressor.
- Consulte a secção 4 para detalhes das ligações elétricas.
- Os compressores Scroll da Danfoss só funcionam corretamente numa direção de rotação. As fases de linha L1, L2, L3 devem estar absolutamente conectadas aos terminais de compressor T1, T2, T3 para evitar rotação inversa.
- Utilize parafusos de \varnothing 4,8 mm (3/16") e terminais de anel de 1/4" para a ligação elétrica. Aperte com torque de 3 Nm.
- A conexão de termostato (se existente) é um conector de terminais de 1/4" AMP-AWE.
- O compressor tem de estar conectado à terra com o parafuso de borne de ligação à terra de 5 mm.

11 – Carga do sistema

- Mantenha o compressor desligado.
- Encha o condensador ou o reservatório de líquido com o refrigerante na fase líquida. A carga deverá ser o mais próxima possível da carga nominal do sistema para evitar a operação a baixa pressão e o sobreaquecimento excessivo. Nunca deixe a pressão do lado de AP exceder a pressão do lado de BP com mais de 5 bar. Tal diferença de pressão pode causar danos internos no compressor.
- Se possível, mantenha a carga de refrigerante abaixo dos limites de carga indicados. Acima deste limite; proteja o compressor contra o refluxo do líquido com um ciclo de recolhimento ou acumulador de sucção.
- Nunca deixe o cilindro de carga ligado ao circuito.

Modelos de compressores	Limite de carga do refrigerante (kg)
SM/SZ 084, 090, 100	8,5
SM/SZ 110, 120	10
SM 112, 124, 147, SZ147	7,9
SM/SZ 115, 125	11
SM/SZ 148, 160, 161	12,5
SM/SZ 175, 185	13,5
SY/SZ 240	16
SY/SZ 380	20
DSH / SH / WSH 090	5,9
DSH / SH / WSH 105, 120, 140, 161, 184	7,9
SH 180, 240, 295, 300	13,5
DSH 240, 295	15
SH 380	14,5
SH 485, DSH600, DSH 381, 485	17

12 – Verificação antes de colocar em funcionamento

⚠ Utilize os dispositivos de segurança, tal como o pressostato de segurança e a válvula mecânica de alívio, em conformidade com os regulamentos e padrões de segurança geralmente e localmente aplicáveis. Garanta que estes estão operacionais e foram regulados devidamente.

⚠ Certifique-se de que as configurações dos interruptores de alta pressão e as válvulas de alívio não excedem a pressão de serviço máxima de qualquer componente de sistema.

- É recomendado um pressostato de baixa pressão com o objetivo de evitar o funcionamento em vácuo. Ajuste mínimo para SM/SY/SZ: 0,5 bar g. Ajuste mínimo para DSH / SH / WSH: 1,7 bar g.
- Assegure-se de que todas as ligações elétricas estão devidamente apertadas e em conformidade com os regulamentos locais.
- Quando é necessário um aquecedor do cárter, é necessário alimentá-lo durante, no mínimo, 12 horas antes do arranque inicial e do arranque após uma parada prolongada no caso de aquecedores do cárter de tipo correia (6 horas para aquecedores de superfície).

13 – Arranque

- ⚠ Nunca opere o compressor com a cobertura da caixa elétrica levantada.
- Nunca acione o compressor se o refrigerante não estiver carregado.

- As válvulas de serviço têm que estar todas na posição aberta.
- Equilibre a pressão Alta Pressão/Baixa Pressão.
- Alimente o compressor. Este deverá arrancar imediatamente. Se o compressor não arrancar, verifique a conformidade das ligações elétricas e a tensão nos terminais.
- A rotação inversa eventual pode ser detetada pelos fenómenos seguintes: o compressor não acumula pressão, tem um nível de ruído anormalmente alto e consumo de energia anormalmente baixo. Neste caso, encerre o compressor imediatamente e ligue as fases aos seus terminais adequados. A maioria dos compressores Scroll da Danfoss estão protegidos contra uma rotação inversa, ou através de uma proteção contra rotação inversa, ou através de um módulo de proteção eletrónico externo. Irão encerrar automaticamente. Apenas os compressores SM 112, 124, 147, SZ147 não possuem proteção de rotação inversa. Uma rotação inversa prolongada irá danificar estes compressores.
- Se o protetor contra sobrecarga interno disparar (SM/SZ 084, 090, 100, 110, 112, 120, 124, 147, 148, 161 e DSH / SH / WSH 090, 105, 120, 140, 161, 184), tem de arrefecer até aos 60 °C para fazer a reposição. Dependendo da temperatura ambiente, isso pode levar várias horas.
- Se a válvula interna de escape de pressão estiver aberta (SY/SZ 240, 300, 380 / SH 380, 485 / DSH 381, 485, DSH600), o cárter do compressor ficará morno e o compressor irá desligar pelo protetor de motor.

14 – Verificação com o compressor em funcionamento

- Verifique o fornecimento de corrente e da tensão.
- Verifique o sobreaquecimento da sucção para reduzir o risco de golpes de líquido.
- Observe o nível do óleo através do visor de nível durante cerca de 60 minutos, de maneira a assegurar o correto retorno do óleo para o compressor.
- Respeite os limites de funcionamento.

- Verifique todos os tubos quanto a vibração anormal. Movimentações que excedam os 1,5 mm requerem medidas de correção, tais como grampos de fixação.
- Quando necessário, poderá ser adicionado algum refrigerante extra em estado líquido no lado de baixa pressão, o mais longe possível do compressor. O compressor deverá estar em funcionamento durante este processo.
- Não sobrecarregue o sistema.
- Nunca liberte o refrigerante para a atmosfera.
- Para sistemas reversíveis, assegure-se de que a válvula de 4 vias não inverte quando o compressor é parado devido à necessidade de aquecimento ou arrefecimento (paragem no termostato).
- Antes de sair do local de instalação, faça uma inspeção geral da instalação no que diz respeito à limpeza, ruídos e deteção de fugas.
- Registe o tipo e a quantidade da carga de frigorígeno, assim como as condições de funcionamento, para servir de referência em inspeções futuras.

15 – Manutenção

⚠ A pressão interna e a temperatura da superfície são perigosas e podem causar danos físicos permanentes. Os operadores de manutenção e os instaladores têm que possuir conhecimentos e ferramentas apropriadas. A temperatura da tubulação pode exceder os 100 °C e pode causar queimaduras graves.

⚠ Assegure-se de que são efetuadas inspeções de assistência periódicas de acordo com os regulamentos locais e para garantir a confiabilidade do sistema.

Para impedir problemas no compressor relacionadas com o sistema, recomenda-se a seguinte manutenção periódica:

- Verifique que os dispositivos de segurança se encontram operacionais e corretamente configurados.
- Certifique-se de que o sistema se encontra estanque.
- Verifique a tomada de corrente do compressor.
- Confirme se o sistema está a funcionar

de modo consistente com os registros de manutenção anteriores e respetivas condições de ambiente.

- Verifique que todas as ligações elétricas se encontram ainda corretamente apertadas.
- Mantenha o compressor limpo e verifique a ausência de ferrugem ou de oxidação no invólucro do compressor, tubos e ligações elétricas.

16 – Garantia

Indique sempre qual o número do modelo e número de série em qualquer reclamação relativa a este produto.

A garantia do produto pode ser anulada nos seguintes casos:

- Ausência de placa de características.
- Modificações externas; em particular, perfuração, soldadura, pés partidos e marcas de choques.
- Compressor aberto ou devolvido com o selo violado.
- Presença de ferrugem, água ou tinta de deteção de fugas no interior do compressor.
- A utilização de um refrigerante ou lubrificante não aprovado pela Danfoss.
- Qualquer desvio em relação às instruções recomendadas relativas à instalação, aplicação ou manutenção.
- Utilização em aplicações móveis.
- Utilização em ambiente atmosférico explosivo.
- Nenhum número de modelo ou número de série transmitido com o pedido de garantia.

O compressor não é concebido para suportar desastres naturais como terremotos, ciclones, cheias... ou eventos extremos, tais como fogos, ataques terroristas, bombardeamentos militares ou explosões de qualquer tipo.

A Danfoss Comercial Compressor não é responsável por nenhum mau funcionamento do seu produto resultante de tais eventos

17 – Eliminação



A Danfoss recomenda que os compressores e o óleo dos compressores sejam reciclados por uma empresa adequada no próprio local.

